



MODEL / MODÈLE : PBV3A1
PART / PIÈCE : 10772

PBV3A1

ANALOG ELECTRIC SMOKER (3-SERIES)

IMPORTANT, READ CAREFULLY, RETAIN
FOR FUTURE REFERENCE. MANUAL MUST
BE READ BEFORE OPERATING!

FUMOIR ÉLECTRIQUE ANALOGIQUE (SÉRIE 3)

IMPORTANT, PRENEZ CONNAISSANCE
DE CE DOCUMENT ET CONSERVEZ-LE POUR
RÉFÉRENCE ULTÉRIEURE VOUS DEVEZ LIRE CE
GUIDE AVANT D'UTILISER LE BARBECUE !



ASSEMBLY AND OPERATION | ASSEMBLAGE ET FONCTIONNEMENT

WARNING: PLEASE READ THE ENTIRE MANUAL BEFORE INSTALLATION AND USE OF THIS ELECTRIC APPLIANCE. FAILURE TO FOLLOW THESE INSTRUCTIONS COULD RESULT IN PROPERTY DAMAGE, BODILY INJURY OR EVEN DEATH. CONTACT LOCAL BUILDING OR FIRE OFFICIALS ABOUT RESTRICTIONS AND INSTALLATION INSPECTION REQUIREMENTS IN YOUR AREA.

AVERTISSEMENT: VEUILLEZ LIRE L'INTÉGRALITÉ DU MANUEL AVANT L'INSTALLATION ET L'UTILISATION DE CET APPAREIL ÉLECTRONIQUE. LE NON-RESPECT DE CES INSTRUCTIONS PEUT ENTRAÎNER DES DOMMAGES AUX BIENS, DES BLESSURES OU MÊME LA MORT. COMMUNIQUEZ AVEC LES AUTORITÉS LOCALES EN MATIÈRE D'INCENDIE ET DE BÂTIMENT CONCERNANT LES RESTRICTIONS ET LES EXIGENCES D'INSTALLATION DANS VOTRE RÉGION.



CERTIFIED TO: UL1026 (6TH EDITION) / CSA-22.2 NO. 60335-2-78:14 & CSA-22.2 NO. 60335-1-T1 ELECTRIC HOUSEHOLD COOKING AND FOOD SERVING APPLIANCE
CERTIFIÉ À: UL 1026 (6^E ÉDITION) / CSA-22.2 NO. 60335-2-78:14 & CSA-22.2 NO. 60335-1-T1 APPAREIL ÉLECTROMÉNAGER DE CUISSON ET DE SERVICE ALIMENTAIRE

FOR OUTDOOR AND HOUSEHOLD USE ONLY. NOT FOR COMMERCIAL USE.
RÉSERVÉ À L'USAGE EXTÉRIEUR ET RÉSIDENTIEL UNIQUEMENT. NON DESTINÉ À UN USAGE COMMERCIAL.

SAFETY INFORMATION

THIS MANUAL CONTAINS IMPORTANT INFORMATION NECESSARY FOR THE PROPER AND SAFE USE OF THIS UNIT. READ AND FOLLOW ALL WARNINGS AND INSTRUCTIONS BEFORE USING SMOKER AND DURING USE. FAILURE TO FOLLOW THESE WARNINGS AND INSTRUCTIONS PROPERLY COULD RESULT IN PERSONAL INJURY OR DEATH.

Please read and understand this entire manual before attempting to assemble, operate or install the product. This will ensure you receive the most enjoyable and trouble-free operation of your new smoker. We also advise to retain this manual for future reference.

DANGERS AND WARNINGS

You must contact your local home association, building or fire officials, or authority having jurisdiction, to obtain the necessary permits, permission or information on any installation restrictions, such as any smoker being installed on a combustible surface, inspection requirements or even ability to use, in your area.

1. A minimum clearance of 457mm (18 inches) from combustible constructions to the sides of the smoker, and 457mm (18 inches) from the back of the smoker to combustible constructions must be maintained. **Do not install appliance on combustible floors, or floors protected with combustible surfaces unless proper permits and permissions are obtained by authorities having jurisdiction.** Do not use this appliance indoors or in an enclosed, unventilated area. This wood pellet appliance must not be placed under overhead combustible ceiling or overhang. Keep your smoker in an area clear and free from combustible materials, gasoline and other flammable vapors and liquids.

Should a grease fire occur, turn the smoker off and leave the cabinet door closed until the fire is out. Do not unplug the power cord. Do not throw water on. Do not try to smother the fire. Use of an all-class (class ABC) approved fire extinguisher is valuable to keep on site. If an uncontrolled fire does occur, call the Fire Department.

2. Keep the unit and electrical supply cords away from water or other liquids. Do not use your smoker in the rain, during an electrical or around any water source. To protect against electrical shock, use only a properly grounded electrical outlet. Do not operate the appliance with a damaged cord or plug. If a long, detachable power supply-cord (or extension) is used, ensure the cord rating is at least as great as the electrical rating of the appliance, and must be a grounded cord. Outdoor extension cords used with outdoor products are marked with the suffix "W" and with the statement "suitable for use with outdoor appliances." To reduce the risk of electric shock, keep extension cord connection dry and off the ground.
3. After a period of storage, clean before use. Regular care and maintenance is required to prolong the lifespan of your unit. If the smoker is stored outside during the rainy season or seasons of high humidity, care should be taken to ensure that water does not get onto the electric element. Always disconnect the power, before performing any service or maintenance.

Do not transport your smoker while in use or while the smoker is hot. Ensure the smoker is completely cool to the touch before adjusting the cooking grates, adding wood chips, removing the water tray, moving, or storing. Store unit indoors when not in use. Do not store the electric smoker with hot ashes inside unit. Store only when all surfaces are cold.

4. It is recommended to use heat-resistant barbecue mitts and long, sturdy cooking tools when operating the unit. Use caution when removing food from the smoker. All surfaces are hot, and can remain hot for an extended period after use.
5. Parts of the barbecue may be very hot, and serious injury may occur. Keep young children and pets away while in use.

This appliance is not recommended for children, persons with reduced physical, sensory or mental capabilities, or lack of experience and knowledge, unless they are under direct supervision or instruction by a person responsible for their safety.

6. Do not use this appliance as a heater, or for anything other than its intended purpose. This unit is not for commercial use.

The appliance should be supplied through a residual current device (RCD) having a rated residual operating current not exceeding 30 mA. The appliance is to be connected to a socket-outlet having an earthing contact (for class I appliances).

DISPOSAL OF ASHES

Ashes should be placed in a metal container with a tight-fitting lid. The closed container of ashes should be placed on a non-combustible floor or on the ground, well away from all combustible materials, pending final disposal. When ashes are disposed by burial in soil, or otherwise locally dispersed, they should be retained in a closed container until all cinders have thoroughly cooled.

CREOSOTE

Creosote, or soot, is a tar-like substance produced when wood is burned. While burning, it produces black smoke with a residue which is also black in color. When not removed, it can build to form a thick, hard coating of debris on any surface, posing a threat to your appliance. It is dangerous to operate this appliance should the flame become very dark and sooty.

Should the creosote ignite, it makes an extremely hot and uncontrolled fire, similar to a grease fire. Should this happen, turn the unit off, let it cool completely, then inspect for maintenance and cleaning. It commonly accumulates along exhaust areas, such as a chimney, ventilation damper, or cabinet door.

If creosote has formed within the unit, allow the unit to warm up at a low temperature, turn off the appliance, then wipe away any formation with a hand towel. Similar to tar, it is much easier to clean when warm, as it becomes liquid.

CARBON MONOXIDE (“THE SILENT KILLER”)

Burning wood chips gives off carbon monoxide, which has no odor and can cause death. Do not burn wood chips inside homes, vehicles, tents, garages or any enclosed areas. Use only outdoors where it is well ventilated.

Carbon monoxide is a colorless, odorless, tasteless gas produced by burning gas, wood, propane, charcoal or other fuel. Carbon monoxide reduces the blood's ability to carry oxygen. Low blood oxygen levels can result in headaches, dizziness, weakness, nausea, vomiting, sleepiness, confusion, loss of consciousness or death. Follow these guidelines to prevent this colorless, odorless gas from poisoning you, your family, or others:

- See a doctor if you or others develop cold or flu-like symptoms while cooking or in the vicinity of the appliance. Carbon monoxide poisoning, which can easily be mistaken for a cold or flu, is often detected too late.
- Alcohol consumption and drug use increase the effects of carbon monoxide poisoning.

Carbon monoxide is especially toxic to mother and child during pregnancy, infants, the elderly, smokers, and people with blood or circulatory system problems, such as anemia, or heart disease.

SAFETY LISTING

In accordance with the procedures and specifications listed in the UL1026 (6th edition) / CSA-22.2 No. 60335-2-78:14 & CSA-22.2 No. 60335-1:11 Electric Household Cooking and Food Serving Appliances. Pit Boss® Grills electric cooking appliances have been independently tested and listed by CSA (an accredited testing laboratory) to ETL, UL, ULC and CSA standards.





COPYRIGHT NOTICE

Copyright 2022. All right reserved. No part of this manual may be copied, transmitted, transcribed, stored in a retrieval system, in any form or by any means without expressed written permission of,

Dansons

8877 North Gainey Center Drive, Scottsdale, AZ, USA 85258

www.pitboss-grills.com

Customer Care

USA: (480) 923-9630

CANADA (TOLL FREE): 1-877-942-2246

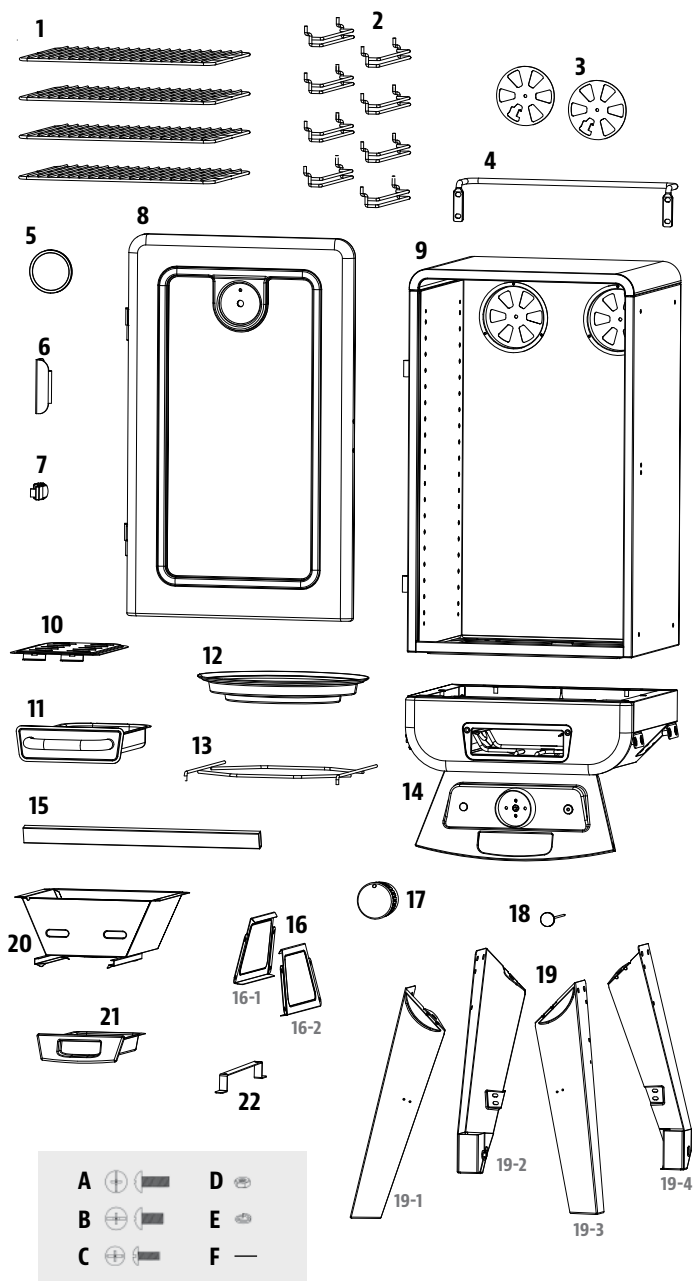
TABLE OF CONTENTS

Safety Information	2	Care & Maintenance	17
Parts & Specs.....	6	Cooking Guidelines	18
Assembly Preparation.....	7	Tips & Techniques	20
Assembly Instructions		Troubleshooting	21
Mounting The Support Legs To The Cabinet Base.....	7	Electrical Wire Diagram	22
Securing The Control Panel To Front Support Legs	7	Replacement Parts.....	23
Securing The Support Bar.....	8	Warranty	
Mounting The Support Panels	8	Conditions.....	24
Mounting The Bottom Chamber Assembly.....	8	Exceptions.....	24
Mounting The Power Cord Bracket.....	9	Ordering Replacement Parts	24
Installing The Dampers Into The Main Cabinet.....	9	Contact Customer Care	24
Mounting The Back Handle	9	Warranty Service	25
Assembling The Main Cabinet To The Cabinet Base.....	10		
Installing The Cooking Components.....	10		
Mounting The Heat Indicator.....	11		
Mounting The Cabinet Door Handle, Door Latch	11		
Assembling & Installing The Wood Chip Tray	11		
Mounting The Control Knob.....	12		
Installing The Grease Tray	12		
Connecting To A Power Source.....	12		
Operating Instructions			
Smoker Environment.....	13		
Smoker Temperature Ranges.....	14		
First Use - Curing & Burn-Off	14		
Start-Up Procedure	15		
Refilling The Water Pan	15		
Refilling The Wood Chip Tray	16		
Shutting Off Your Smoker	16		

PARTS & SPECS

ENGLISH

Part#	Description
1	Cooking Grates (x4)
2	Cooking Grid Support Brackets (x8)
3	Damper Vent (x2)
4	Back Handle (x1)
5	Heat Indicator (x1)
6	Cabinet Door Handle (x1)
7	Cabinet Door Latch (x1)
8	Cabinet Door (x1)
9	Main Cabinet (x1)
10	Wood Chip Tray Lid (x1)
11	Wood Chip Tray Assembly (x1)
12	Water Pan (x1)
13	Water Pan Support (x1)
14	Cabinet Base (x1)
15	Support Bar (x1)
16	Support Panel (x2)
17	Control Knob (x1)
18	Meat Thermometer (x1)
19	Support Legs (x4)
20	Bottom Chamber Assembly (x1)
21	Grease Tray (x1)
22	Power Cord Bracket (x1)
A	¼-20x⅝" Screw (x4)
B	¼-20x½" Screw (x12)
C	#10-24x½" Screw (x32)
D	#10-24 Nut (x2)
E	M5 Locking Washer (x2)
F	Spare Hardware



NOTE: Due to ongoing product development, parts are subject to change without notice. Contact Customer Care if parts are missing when assembling the unit.

PB – ELECTRIC REQUIREMENTS
110-120V, 60Hz, 1650W, 3-PRONG GROUNDED PLUG

MODEL	UNIT ASSEMBLED (WxHxD)	UNIT WEIGHT	COOKING AREA	TEMPERATURE RANGE
PB PBV3A1	580mm x 1,192mm x 545mm / 22.8 in. x 46.9 in. x 21.5 in.	27.5 kg / 60.6 lb	Cubic Cooking: 0.07 m ³ / 2.7 ft ³ TOTAL - 4,825 cm ² / 748 in ²	38-162°C / 100-325°F

ASSEMBLY PREPARATION

Parts are located throughout the shipping carton, including underneath the smoker. Inspect the smoker, parts, and hardware blister pack after removing from the protective shipping carton. Discard all packaging materials from inside and outside of the smoker before assembly, then review and inspect all parts by referencing the parts list. If any part is missing or damaged, do not attempt to assemble. Shipping damage is not covered under warranty. Contact your dealer or Pit Boss® Customer Care for parts.

USA: (480) 923-9630 | CANADA (TOLL FREE): 1-877-942-2246

IMPORTANT: To ease installation, using two people is helpful (but not necessary) when assembling this unit.

Tools required for assembly: screwdriver and level. *Tools not included.*



ASSEMBLY INSTRUCTIONS

IMPORTANT: It is advised to read each step entirely before starting assembly on instructions. Do not tighten screws completely until all screws for that step have been installed, or unless otherwise mentioned.

1. MOUNTING THE SUPPORT LEGS TO CABINET BASE

Parts Required:

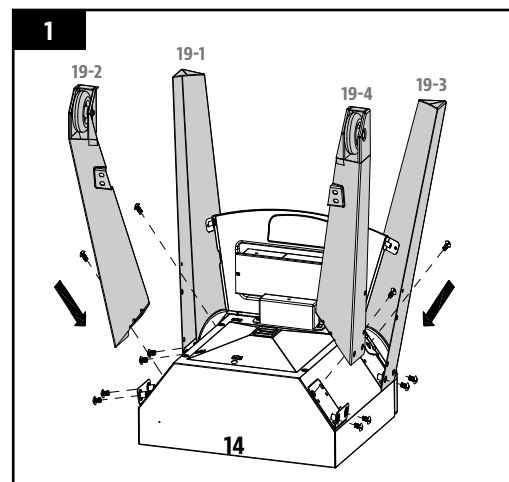
- 1 x Cabinet Base (#14)
- 4 x Support Legs (#19)
- 12 x ¼-20x½" Screw (#B)

Installation:

- Place a piece of cardboard on the floor to prevent scratching the unit.
- Next, lay the cabinet base on the floor, upside down. Prepare the four support legs for installation to the cabinet base, arranging the labeled legs as shown in the illustration.

IMPORTANT: The four support legs must be arranged correctly to properly install the support panels and support bar in later steps.

- Mount one support leg to the cabinet base using three screws. Repeat installation for the other three support legs. Tighten inside screws completely, but leave outside screws partly loosened.



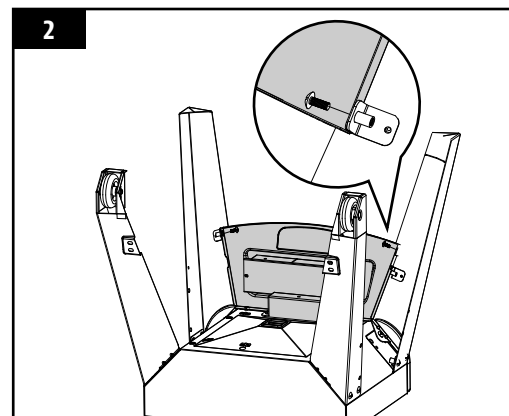
2. SECURE CONTROL PANEL TO FRONT SUPPORT LEGS

Parts Required:

- 2 x #10-24x½" Screw (#C)

Installation:

- Near the Control Panel, loosen the two screws connecting the front panel to the main cabinet.
- Using another two screws, secure the front panel sides to the front-facing support legs. Once these screws are tight, re-tighten the two screws that were previously loosened.



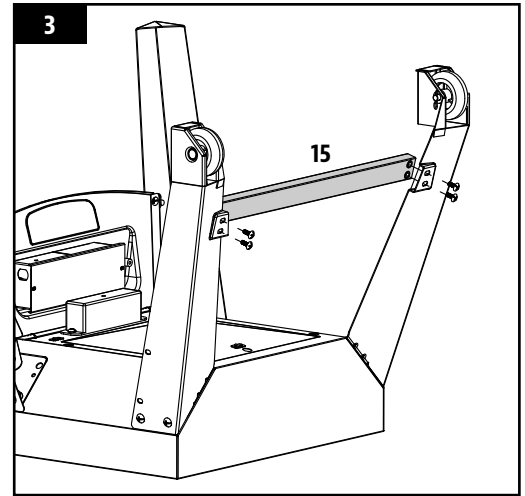
3. SECURING THE SUPPORT BAR

Parts Required:

- 1 x Support Bar (#15)
- 4 x #10-24x½" Screw (#C)

Installation:

- Install the Support Bar to the rear of the unit between the two rear Support Legs. Secure using two screws on each side. Ensure the Support Bar is placed on the underside of the main cabinet, facing inwards. Note illustration for Support Bar arrangement.



4. MOUNTING THE SUPPORT PANELS

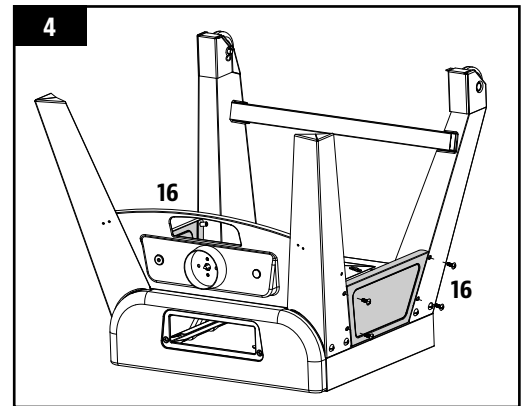
Parts Required:

- 2 x Support Panel (#16)
- 8 x #10-24x½" Screw (#C)

Installation:

- Install one Support Panel to the side of the unit between a front and back support legs. Secure using two screws on each side. Ensure the flat side of the Support Panel is facing outwards. Repeat the same installation to mount the other support panel. Note illustration for Support Panel arrangement.

NOTE: The Support Panel with two holes along the bottom should be on the same side of the unit as the power cord exits the Control Panel (left side). This is important for later steps.



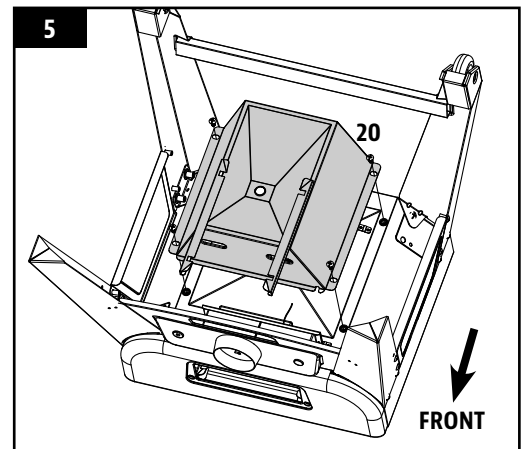
5. MOUNTING THE BOTTOM CHAMBER ASSEMBLY

Parts Required:

- 1 x Bottom Chamber Assembly (#20)
- 4 x #10-24x½" Screw (#C)

Installation:

- Mount the Bottom Chamber assembly to the bottom of the cabinet base using four screws. Ensure the rails for the grease tray are facing the front of the unit. Note illustration for proper positioning.



6. MOUNTING THE POWER CORD BRACKET

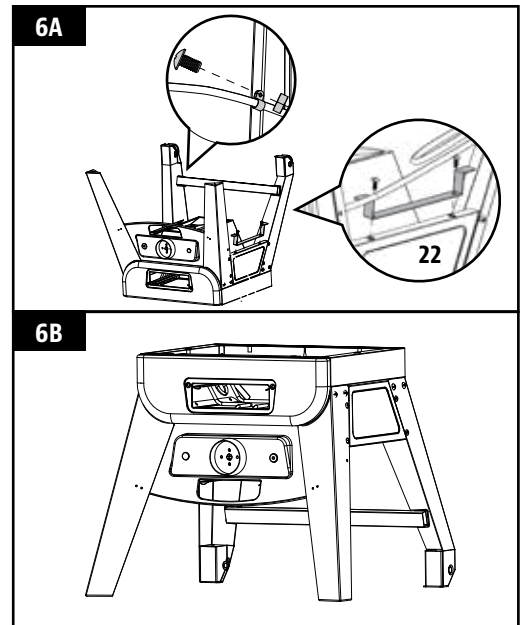
Parts Required:

- 1 x Power Cord Bracket (#22)
- 2 x #10-24x $\frac{1}{2}$ " Screw (#C)

Installation:

- Loosen the screw of the Power Cord Clip on the support leg, and guide the Power Cord through the Power Cord Clip to secure.
- Locate the two holes on the bottom of the (left side) Support Panel. Mount the Power Cord Bracket to the Support Panel using two screws as shown in illustration 6A. Once secure, wrap the Power Cord on the Bracket until unit is in use.
- Proceed to fully-tighten all screws on the cabinet base, then carefully turn the cart right side up, as shown in illustration 6B.

IMPORTANT: Ensure that all screws on the cabinet base are fully-tighten to avoid screws falling out when the unit is moved.



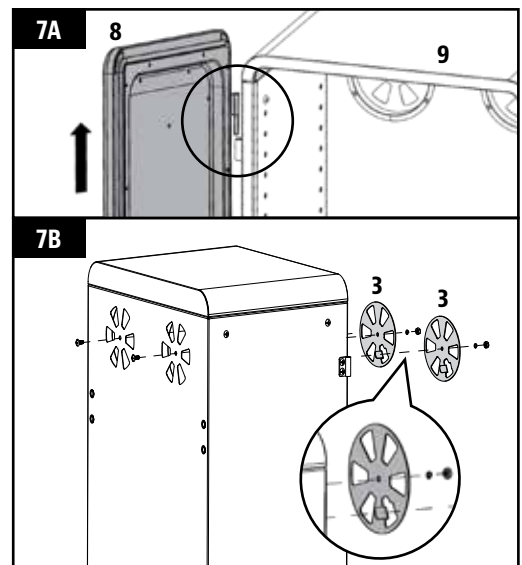
7. INSTALLING THE DAMPERS INTO THE MAIN CABINET

Parts Required:

- 1 x Main Cabinet (#9)
- 2 x Damper Vent (#3)
- 2 x #10-24x $\frac{1}{2}$ " Screw (#C)
- 2 x #10-24 Lock Nut (#D)
- 2 x M5 Locking Washer (#E)

Installation:

- First, lift the main cabinet door off the hinges, and place aside. Note 7A.
- Place one screw from the outside of the main cabinet into the center of each damper. Next, insert a damper inside the main cabinet with the raised tab facing the rear, and secure the screw from the exterior using a locking washer and lock nut. Repeat same installation for second damper, as shown in illustration 7B.



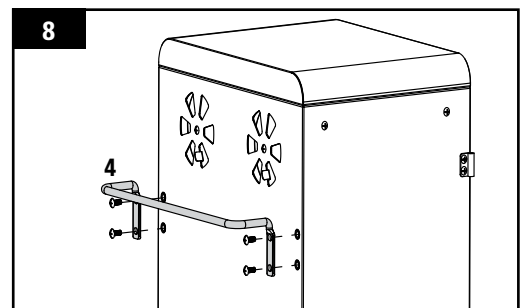
8. MOUNTING THE BACK HANDLE

Parts Required:

- 1 x Back Handle (#4)
- 4 x $\frac{1}{4}$ -20x $\frac{5}{8}$ " Screw (#A)

Installation:

- Mount the handle onto the back side of the main cabinet using four screws. Note correct position as shown, with handle on top.



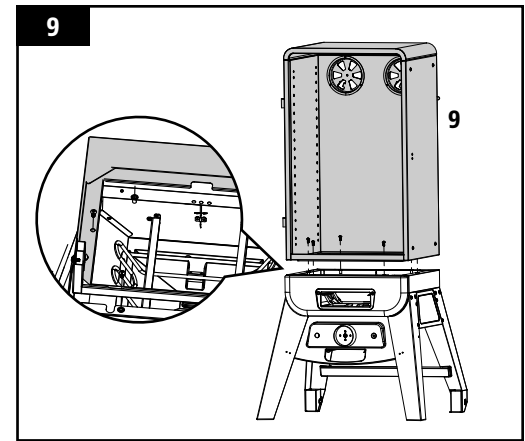
9. ASSEMBLING THE MAIN CABINET TO THE CABINET BASE

Parts Required:

6 x #10-24x $\frac{1}{2}$ " Screw (#C)

Installation:

- Prepare the Main Cabinet to be mounted to the Cabinet Base. Position the Cabinet Base next to the Main Cabinet, with both facing the same direction. Carefully, lift the Main Cabinet onto the Cabinet Base. Secure the Main Cabinet to the Cabinet Base using six screws.



10. INSTALLING THE COOKING COMPONENTS

Parts Required:

8 x Cooking Grid Support Brackets (#2)
 4 x Cooking Grates (#1)
 1 x Water Pan (#12)
 1 x Water Pan Support (#13)

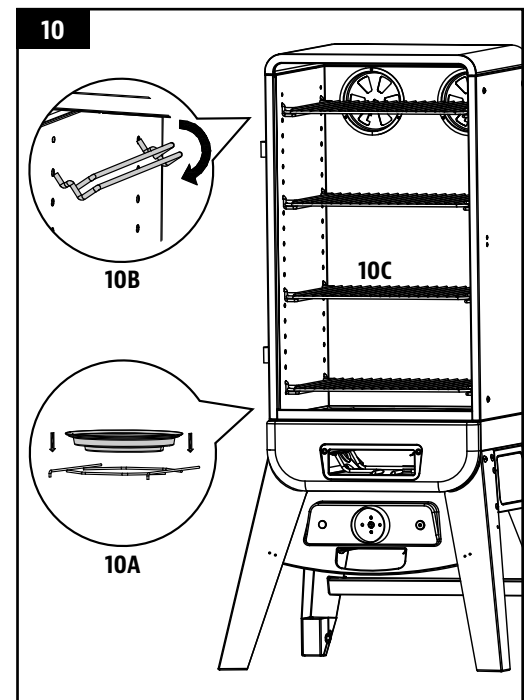
Installation:

- Insert the Water Pan Support into the bottom of the main interior cabinet, then sit the Water Pan in the support. Note 10A.

NOTE: Keep water in the Water Pan at all times while cooking. It will catch grease and drippings from your cooks and allow for easier clean up. If smoking for an extended period, move Water Pan up higher to allow water to last longer.

- Next, insert eight Cooking Grid Support Brackets into the holes along the inside left wall of the Main Cabinet. Once positioned in the holes, tilt downward to secure into position. Repeat the same process, matching the same heights, for the right-side wall. Note 10B.
- Lastly, place the Cooking Grates on the Cooking Grid Support Brackets inside the Main Cabinet. Note 10C.

CAUTION: To change the height between each Cooking Grid, adjust only when the smoker is completely cooled to avoid injury.



11. MOUNTING THE HEAT INDICATOR

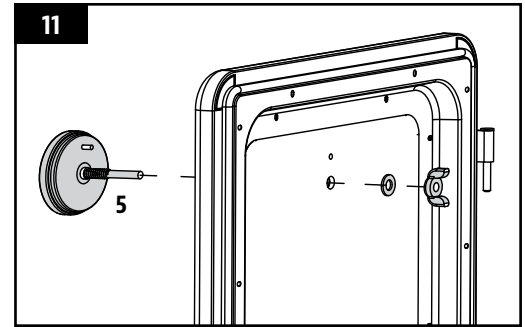
Parts Required:

- 1 x Heat Indicator (#5)
- 1 x Cabinet Door (#8)

Installation:

- Remove the washer and wing nut from the packaged Heat Indicator.
- Insert the Heat Indicator into the mounting hole on the front of the cabinet door, place the washer on the thread pole on the inside of the door, and hand-tighten by hand to secure.

NOTE: The Heat Indicator is supplied with one washer and one wing nut.



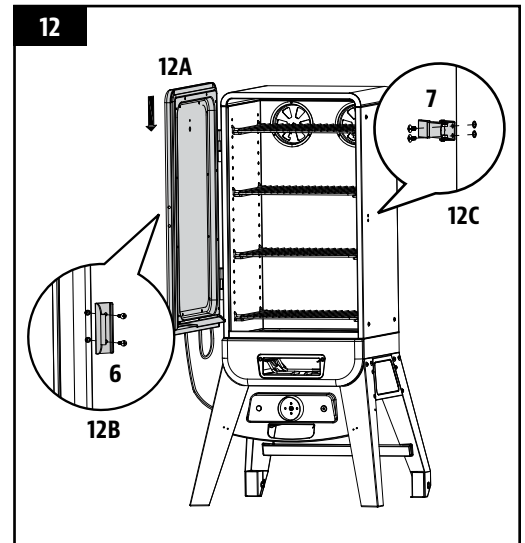
12. MOUNTING THE CABINET DOOR HANDLE, DOOR LATCH

Parts Required:

- 1 x Cabinet Door Handle (#6)
- 1 x Cabinet Door Latch (#7)
- 4 x #10-24x1/2" Screw (#C)

Installation:

- First, re-mount the cabinet door to the main cabinet by aligning and securing both hinges. Ensure the door is mounted correctly by testing it opens freely. Note 12A.
- Mount the cabinet door handle onto the front side of the cabinet door using two screws. Note correct direction in 12B.
- Mount the cabinet door latch onto the exterior side of the main cabinet using two screws. Note 12C.



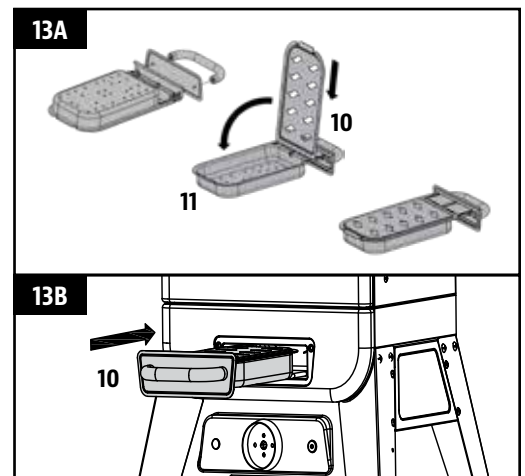
13. ASSEMBLING & INSTALLING THE WOOD CHIP TRAY

Parts Required:

- 1 x Wood Chip Tray Lid (#10)
- 1 x Wood Chip Tray Assembly (#11)

Installation:

- First, assemble the wood chip tray assembly by securing the faceplate and handle using two screws. Next, insert the wood chip tray lid into the lid slots on the wood chip tray assembly and flip the lid down so it closes. Note illustrations in 13A.
- Slide the assembled wood chip tray into the opening above the front control panel of the unit. Note 13B.



14. MOUNTING THE CONTROL KNOB

Parts Required:

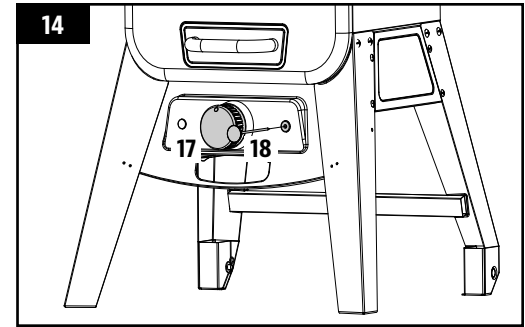
- 1 x Control Knob (#17)
- 1 x Meat Thermometer (#18)

Installation:

- Mount the Control Knob to the front panel of the unit. Push the Control Knob firmly into the front panel until firmly seated.

IMPORTANT: Make certain to align the flat portion of the stem with the flat portion of the Control Knob. This will ensure a proper connection to the electrical components.

- Slide the Meat Thermometer into the front panel.



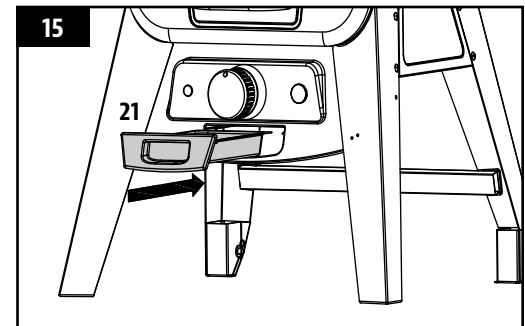
15. INSTALLING THE GREASE TRAY

Parts Required:

- 1 x Grease Tray (#21)

Installation:

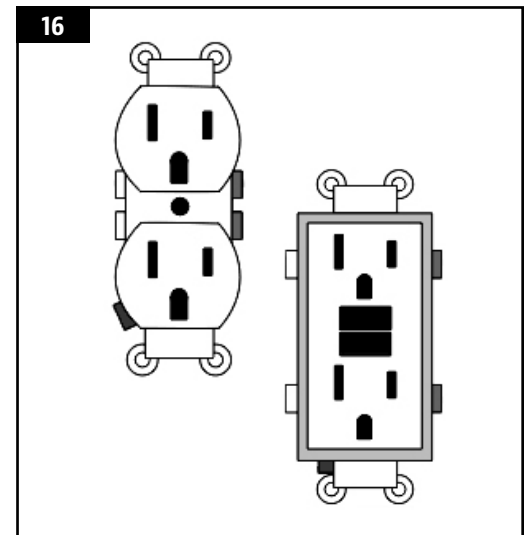
- Slide the Grease Tray into the opening below the front control panel of the unit. Ensure the grease tray sits properly on the rails.
- The unit is now completely assembled.



16. CONNECTING TO A POWER SOURCE

- **STANDARD OUTLET**
This appliance requires 110-120 volt, 60Hz, 1650w. It must be a 3-prong grounded plug. Ensure grounded end is not broken off before use.
- **GFCI OUTLETS**
This appliance will work on most GFCI outlets, with a recommended size of 15 or 20 amp service. If your GFCI outlet is highly sensitive to power surges, it will likely trip during the start-up phase of operation. During the start-up phase, the element draws 200-700 watts of electricity which can be too much power for a GFCI outlet to handle. Each time it trips, it increases in sensitivity. If the GFCI keeps tripping, replace the outlet or change to a non-GFCI outlet.

IMPORTANT: Disconnect unit from power source when not in use.



OPERATING INSTRUCTIONS

With today's lifestyle of striving to eat healthy and nutritious foods, a factor to consider is the importance of reducing fat intake. One of the best ways to cut down on fats in your diet is to use a savory method of cooking like smoking. As this electric smoker uses all natural hardwood chips for smoking, the natural wood flavor is infused into the meats, reducing the need for high sugar-based sauces.

SMOKER ENVIRONMENT

1. *WHERE TO SET-UP THE SMOKER*

With all outdoor appliances, outside weather conditions play a big part in the performance of your smoker and the cooking time needed to perfect your meals. All Pit Boss® units should keep a minimum clearance of 457mm (18 inches) from combustible constructions, and this clearance must be maintained while the smoker is operational. This appliance must not be placed under overhead combustible ceiling or overhang. Keep your smoker in an area clear from combustible materials, gasoline and other flammable vapors and liquids.

2. *COLD WEATHER COOKING*

As it becomes cooler outside, that does not mean that smoking season is over! The crisp cool air and heavenly aroma of smoked foods will help cure your winter blues. Follow these suggestions on how to enjoy your smoker throughout the cooler months:

- If smoking at low temperatures fails, increase the temperature slightly to achieve the same results.
- Organize – Get everything you require ready in the kitchen before you head outdoors. During the winter, move your smoker to an area that is out of the wind and direct cold. Check local bylaws regarding the proximity of your smoker in relation to your home and/or other structures. Put everything you need on a tray, bundle up tight, and get it done!
- To help keep track of the outside temperature, place an outdoor thermometer close to your cooking area. Keep a log or history of what you cooked, the outdoor temperature, and the cooking time. This will help later down the road to help you determine what to cook and how long it will take.
- In very cold weather, increase your preheating time by at least 20 minutes.
- Avoid opening the smoke cabinet door any more than necessary. Cold gusts of wind can completely cool your internal temperature. Be flexible with your serving time; add extra cooking time each time you open the door.
- Have a heated platter or a dish cover ready to keep your food warm while making the trip back inside.
- Ideal foods for winter cooking are those that require little attention, such as roasts, whole chickens, ribs, and turkey. Make your meal preparation even easier by adding simple items such as vegetables and potatoes.

3. *HOT WEATHER COOKING*

As it becomes warmer outdoors, the cooking time will decrease. Proper dress is important when it gets really hot: shorts, shirt, shoes, hat, apron and a generous slab of suntan lotion is recommended. Follow these few suggestions on how to enjoy your smoker throughout the hot months:

- Adjust your cooking temperatures downward. This helps to avoid unwanted flare-ups.
- Use a meat thermometer to determine the internal temperature of your foods. This helps in preventing your meat from over cooking and drying out.
- Even in hot weather, keep the smoke cabinet door closed at all times.
- You can keep foods hot by wrapping them in foil, and placing them in an insulated cooler. Stuff crumpled up newspaper around the foil and this will keep food hot for 3 to 4 hours.

SMOKER TEMPERATURE RANGES

All temperatures listed below are approximate and are affected by the following factors: outside ambient temperature, the amount and direction of wind, the quality of wood chips being used, the cabinet door being opened, and the quantity of food being cooked.

- **MEDIUM TEMPERATURE (135-162°C / 275-325°F)**

This range is best for baking, roasting, and finishing off that slow smoked creation. Cooking at these temperatures will greatly reduce the chances of a grease flare-up. Great range for cooking anything wrapped in bacon, or where you want versatility with control.

- **LOW TEMPERATURE (38-122°C / 100-250°F)**

This range is used to slow roast, increase smoky flavor, and to keep foods warm. Infuse more smoke flavor and keep your meats juicy by cooking longer at a lower temperature (also known as **low and slow**). Highly recommended for the big turkey at Thanksgiving, juicy ham at Easter, or the huge holiday feast.

Smoking is a variation on true barbecuing and is truly the main advantage of a smoker. There are two types of smoking: hot smoking and cold smoking.

- **Hot smoking**, another name for **low and slow** cooking, is generally done at 38-122°C / 100-250°F. Hot smoking works best when longer cooking time is required, such as large cuts of meats, fish, or poultry.
- **Cold smoking** is when the food is located so far away from the heat source that it smokes without cooking, and at temperatures of 15-32°C / 60-90°F.

TIP: To intensify that savory flavor, smoke your foods before turning up the heat to fully-cook your meats. This allows the smoke to penetrate the meats, before the pores of the meat close at 49°C / 120°F.

The key is to experiment with the length of time you allow for smoking, before the meal is finished cooking. Some outdoor chefs prefer to smoke at the end of a cook, allowing the food to keep warm until ready to serve. Practice makes perfect!

FIRST USE – CURING & BURN-OFF

Before using your smoker for the first time with food, it is important to complete a burn-off to cure the interior and exterior finish of your unit. Start the smoker and operate at any temperature over (121°C / 250°F) with the cabinet door closed for 30 to 40 minutes to burn-off the unit and rid it of any foreign matter.

IMPORTANT: Curing your smoker is important for its long-term operation and care. If the burn-off is not performed, the exterior finish will not set properly, as well as a paint odor can impart unnatural flavors onto your first prepared meal.

START-UP PROCEDURE

1. Open the cabinet door and carefully fill the water pan $\frac{3}{4}$ full with water or marinade.
IMPORTANT: Do not fill completely or overfill the water pan, as this could damage your electrical element and/or parts while the smoker is in use.
2. Adjust cooking grates and grid support brackets to desired height for the foods you intend to smoke. Once satisfied with the height of your grates, close the cabinet door.
3. Remove the wood chip tray. Open the wood chip tray lid, add wood chips, then slide back into the front of the cabinet.
NOTE: We recommend using wood chips, not wood chunks, as wood chips are smaller and easier to fit inside the wood chip tray.
4. Plug the power cord into a grounded power source.
5. Adjust the Control Knob to HIGH and allow the smoker to heat up for an initial 20 minutes. The Heat Indicator on the front of the unit will let you know when the smoker is near the desired temperature. At this time, the wood chips should be producing ample smoke.
TIP: Keep the damper vents fully open during the first 20 minutes to get your wood chips smoking well. Keep the damper vents partially or completely open when cooking at lower temperatures; close the damper vents when using higher cooking temperatures.
6. Place food into the smoker and start smoking! Allow food to cook for approximately 30-45 minutes per pound. While cooking, it is important to:
 - Check the water level often and add water, if needed. When adding water, wear heat-resistant barbecue mitts to avoid injury. Fill the water pan $\frac{3}{4}$ full with water or marinade.
 - Add additional wood chips, if needed. When adding wood chips, wear heat-resistant barbecue mitts to avoid injury.
 - Use the Meat Thermometer to check the temperature of your food. The Heat Indicator on the door will provide the approximate temperature inside the smoker. Adjust the Control Knob as needed.

IMPORTANT: When selecting a low temperature setting after preheating, allow time for the smoker temperature to decrease and stabilize at the new desired temperature.

ELECTRICAL ELEMENT FAILURE PROCEDURE

If for any reason your electric element fails to operate, follow *Troubleshooting* instructions.

REFILLING THE WATER PAN

Check the water level periodically during your cooking session and add water if needed.

1. Wearing heat-resistant barbecue mitts, open the cabinet door.
2. Carefully refill the water pan with water or marinade until it is $\frac{3}{4}$ full. Close the cabinet door.

IMPORTANT: Do not fill completely or overfill the water pan, as this could damage your electrical element and/or parts while the smoker is in use.

REFILLING THE WOOD CHIP TRAY

Check your wood chip tray periodically during your cooking session and add more wood chips if needed.

1. Wearing heat-resistant barbecue mitts, remove the wood chip tray from the opening above the front panel of the unit.
2. Carefully open the lid, and refill the wood chip tray with new wood chips. Close the lid once full.
3. Replace the wood chip tray into the front panel of the smoker.

NOTE: Use hardwood wood chips that have been seasoned, such as pecan, hickory, oak, apple, cherry, alder, mesquite or a competition blend. It is not necessary to soak the wood chips prior to smoking, as hardwoods have natural moisture in the wood that will release as it heats up and combusts. Do not use resin woods like pine or cedar in your smoker.

SHUTTING OFF YOUR SMOKER

1. When finished cooking, turn the Control Knob to the off position and unplug the smoker. The electric element will turn off, and the wood chips will stop smoking.

TIP: If you have been preparing foods that are extra greasy, allow the smoker to burn-off for an extra 10 to 20 minutes to a minimum temperature of 121°C / 250°F with the cabinet door closed.

IMPORTANT! Once the shut-down cycle is complete, unplug the power cord.

CARE AND MAINTENANCE

Any Pit Boss® unit will give you many years of flavorful service with minimum cleaning. Follow these cleaning and maintenance tips to service your smoker:

1. PROBES

- A meat probe not in use should be rolled up in a large, loose coil. Kinks or folds in the wire may cause damage.
- Although both the grill probe and meat probe are stainless steel, do not place either in the dishwasher or submerge in water. Water damage to the internal wires will cause a probe to short-out, causing false readings. If a probe is damaged, it should be replaced.

2. INSIDE SURFACES

- It is recommended to clean your wood chip tray after every few uses. This will ensure proper smoking of new wood chips and avoid any hard build-up of debris or ash.
- Use a long-handled grill cleaning brush, remove any food or build-up from the cooking grates. Best practice is to do this while they are still warm from the previous cook. **Grease fires are caused by too much fallen debris on the cooking components of the smoker.** Clean the inside of your smoker on a consistent basis. In the event you experience a grease fire, keep the cabinet door and damper vents closed to choke out the fire. If the fire does not go out quickly, carefully remove the food, turn the smoker off, and shut the cabinet door until the fire is completely out. Lightly sprinkle baking soda, if available. Check your grease tray often, and clean out as necessary. Keep in mind the type of cooking you do.

IMPORTANT: The water pan may accumulate grease. Refill and replace the water in the water pan often.

- The glass of the cabinet door is tempered and will not break with high heat; however, excessive build-up may cause the door to not close if not cleaned regularly. Smoke and debris can be removed with frequent cleaning of the glass.

3. OUTSIDE SURFACES

- Wipe your smoker down after each use. Use warm soapy water to cut the grease. Do not use oven cleaner, abrasive cleansers or abrasive cleaning pads on the outside grill surfaces. **All painted surfaces are not covered under warranty**, but rather are part of general maintenance and upkeep. For paint scratches, wearing, or flaking of the finish, all painted surfaces can be touched up using high heat BBQ paint.
- Use a cover to protect your smoker for complete protection! A cover is your best protection against weather and outside pollutants. When not in use or for long-term storage, keep the unit under a cover in a garage or shed.

CLEANING FREQUENCY TIME TABLE (NORMAL USE)

ITEM	CLEANING FREQUENCY	CLEANING METHOD
Cabinet Glass Door	Every 2-3 Smoke Sessions	Mix Baking Soda & Vinegar, Scrub with Steel Wool (Fine)
Bottom of Cabinet	Every 5-6 Smoke Sessions	Scoop Out, Wet/Dry Vacuum Excess Debris
Wood Chip Tray	Every 2-3 Smoke Sessions	Scoop Out, Wet/Dry Vacuum Excess Debris
Cooking Grates	After Each Smoke Session	Burn Off Excess, Grill Cleaning Brush
Water Pan	After Each Smoke Session	Scrub Pad & Soapy Water
Grease Tray	After Each Smoke Session	Scrub Pad & Soapy Water
Electric Element	Twice A Year	Dust, Wipe Element with Soapy Water
Grill probe	Every 2-3 Smoke Sessions	Scrub Pad & Soapy Water
Meat Probe	After Each Use	Scrub Pad & Soapy Water

COOKING GUIDELINES

Smoking and grilling styles of cooking can give you different results based on time and temperature. For best results, keep a record of what you cooked, at what temperature, how long you cooked for, and the results. Adjust to your taste for the next time. Practice makes perfect. The culinary art of hot smoking refers to longer cooking times, but results in more natural wood flavor (and a sought-after Pink Ring) on your meats. Higher temperatures result in a shorter cooking time, locking in less smoke flavor.

TIP: For best results, allow time for meats to rest after cooking. This allows the natural juices to migrate back into the meat fiber, giving a much juicier, flavorful cut. Resting times can be as little as 3 minutes and up to 60 minutes, depending on the size of the protein.

COOKING STYLE	HOT SMOKING	ROAST	BAKING (Medium)
Temperature Range	37-135°C / 100-275°F	135-162°C / 275-325°F	135-162°C / 275-325°F

		APPROXIMATE COOKING TIME		
BEEF	Size	Rare - 54°C / 130°F	Medium - 60°C / 140°F	Well Done - 65°C / 150°F
Rib-eye Roast, boneless	2.26 - 2.72 kg / 5 - 6 lbs.		1½ - 2 hours	
Rib Roast	5.44 - 6.35 kg / 12 - 14 lbs.		2½ - 2¾ hours	
Sausage (fresh)	All sizes			4 - 5 hours
Roast (bone-in)	All sizes	4- 5 Hours		
Ribs	All sizes	Cook until meat pulls from the bone (approx 4 - 6 hours)		
Brisket	7.25 - 3.62 kg / 16 -18 lbs.	Cook until internal temperature reaches 91°C / 195°F		

PORK	Size	Reheat - 60°C / 140°F	Medium - 66°C / 150°F	Well Done - 71°C / 160°F
Ham (cooked)	All sizes	2 - 2¾ hours		
Ham (fresh)	4.53-5.44 kg / 10-12 lbs.			7 - 8 hours
Sausage (fresh)	All sizes			4 - 5 hours
Loin Roast	1.36-1.81 kg / 3 - 4 lbs.		1 - 2 hours	2 - 3 hours
Rib Crown Roast	1.81-2.26 kg / 4 - 5 lbs.		1½ - 2 hours	2 - 3 hours
Boston Butt (Pork Shoulder)	3.62-4.53 kg / 8-10 lbs.			93 - 98°C / 200 - 210°F Internal Temperature
Ribs	All sizes	Cook until meat pulls from the bone (approx 4 - 6 hours)		
Chop (loin, rib)	All sizes	Cook until meat pulls from the bone (approx 4 - 6 hours)		

LAMB	Size	Rare - 54°C / 130°F	Medium - 60°C / 140°F	Well Done - 71°C / 160°F
Roast (fresh)	2.26 - 2.72 kg / 5 - 6 lbs.		5 -6 Hours	

POULTRY	Size	Rare - 54°C / 130°F	Medium - 60°C / 140°F	Well Done - 82°C / 180°F
Turkey (whole)	4.53-5.44 kg / 10-12 lbs.			7 - 8 Hours
Chicken (whole)	All sizes			5 -6 Hours
Drumsticks, Breasts	All sizes			4 -5 Hours
Small Game Birds	All sizes			4 -5 Hours
Duck	1.36-2.26 kg / 3-5 lbs.			5 -6 Hours

CHICKEN	Size	Rare - 54°C / 130°F	Medium - 60°C / 140°F	Well Done - 82°C / 180°F
Whole	All sizes			5 -6 Hours
Drumsticks, Breasts	All sizes			4 -5 Hours

FISH	Size	Rare - 54°C / 130°F	Medium - 60°C / 140°F	Well Done - 82°C / 180°F
Whole	All sizes			2 -3 Hours, until flaky
Filets	All sizes			1 -2 Hours, until flaky

WILD GAME	Size	Rare - 60°C / 140°F	Medium - 71°C / 160°F	Well Done - 77°C / 170°F
Roast (fresh)	2.26 - 2.72 kg / 5 - 6 lbs.		5 -6 Hours	
Large Cuts (fresh)	3.62-4.53 kg / 8-10 lbs.			7 - 8 Hours

TIPS & TECHNIQUES

Follow these helpful tips and techniques, passed on from Pit Boss® owners, our staff, and customers just like you, to become more familiar with your smoker:

1. *FOOD SAFETY*

- Keep everything in the kitchen and cooking area clean. Use different platters and utensils for the cooked meat than the ones you used to prepare or transport the raw meat out to the smoker. This will prevent cross contamination of bacteria. Each marinade or basting sauce should have its own utensil.
- Keep hot foods hot (above 60°C / 140°F), and keep cold foods cold (below 3°C / 37°F).
- A marinade should never be saved to use at a later time. If you are going to use it to serve with your meat, be sure to bring it to a boil before serving.
- Cooked foods should not be left out in the heat for more than an hour. Do not leave hot foods out of refrigeration for more than two hours.
- Defrost and marinade meats by refrigeration. Do not thaw meat at room temperature or on a counter top. Bacteria can grow and multiply rapidly in warm, moist foods. Wash hands thoroughly with hot, soapy water before starting any meal preparation and after handling fresh meat, fish and poultry.

2. *COOKING PREPARATION*

- Be prepared, or **Mise en Place**. This refers to preparing the cooking recipe, fuel, accessories, utensils, and all ingredients you require at your side before you start cooking. Also, read the entire recipe, start to finish, before lighting the smoker.
- A BBQ floor mat is very useful. Due to food handling accidents and cooking splatter, a BBQ floor mat would protect a deck, patio, or stone platform from the possibility of grease stains or accidental spills.

3. *SMOKING TIPS AND TECHNIQUES*

- To infuse more smoke flavor into your meats, cook longer and at lower temperatures (also known as **low and slow**). Meat will close its fibers after it reaches an internal temperature of 49°C / 120°F. Misting, or mopping, are great ways to keep meat from drying out.
- Always use a meat thermometer to determine the internal temperature of the foods you are cooking. Smoking foods with hardwood wood chips will turn meats and poultry pink. The band of pink (after cooking) is referred to as a **smoke ring** and is highly prized by outdoor chefs.
- Sugar-based sauces are best applied near the end of cooking to prevent burning and flare-ups.
- Leave open space between the foods and the extremities of the cabinet for proper heat flow. Food on a crowded smoker will require more cooking time.
- Use a set of long-handled tongs for turning meats, and a spatula for softer items like fish and cheese. Using a piercing utensil, such as a fork, will prick the meat and allow the juices to escape.
- Foods in deep casserole dishes will require more time to cook than a shallow baking pan.
- It's a good idea to put cooked food onto a heated platter, keeping the food warm. Red meats, such as tenderloins and roasts, benefit from resting for several minutes before serving. It allows the juices that were driven to the surface by heat to ease back to the center of the meat, adding more flavor.

TROUBLESHOOTING

Proper cleaning and maintenance will prevent common operational problems. When your Pit Boss® smoker is operating poorly, or used less frequently, the following troubleshooting tips may be helpful. For FAQ, please visit www.pitboss-grills.com. You may also contact your local Pit Boss® authorized dealer or contact Customer Care for assistance.

WARNING: Always disconnect the electrical cord prior to opening the smoker for any inspection, cleaning, maintenance or service work. Ensure the digital electric smoker is completely cooled to avoid injury.

PROBLEM	CAUSE	SOLUTION
Heat indicator Light Not On	Not Connected To Power Source	Disconnect the grill from the from the outlet and then ensure all wire connections are firmly connected in the control panel and dry. Plug the smoker into a working power source. Ensure GFCI is a between 15-20 Amp service (see Electric Wire Diagram for access to electric components). Ensure all wire connections are firmly connected and dry.
	Unit Not Turned On	Rotate the Control Knob to High to turn unit on.
	Faulty Light Connection	Disconnect the grill from the power outlet and ensure all the connectors for the light are firmly connected. Reconnect the grill to the power source and set the Control Knob is set to High.
	Faulty Indicator Light	Control Panel needs to be replaced. Contact Customer Care for a replacement part.
Element (Heating) Not Hot	Bad Connection	Disconnect the grill from the power outlet. Check to ensure the screws are firmly connected.
	Heating Element Failure	Disconnect the grill from the power outlet and let the grill cool off. Remove the cooking components from the grill. Plug the unit back in, set the Control Knob to High. Check to verify if the indicator light is ON and visually confirm that the heating element is turning hot.
	Faulty Element	Contact Customer Care for a replacement part.
Element (Heating) Not On	Bad Connection	Check to ensure the connectors are firmly connected. Disconnect, and reconnect.
	Faulty Element	Contact Customer Care for a replacement part.
Excessive Time To Achieve Desired Temperature	Cold Climate	Outdoor temperature is below 65°C / 18°F, so the unit may take extended heating time.
	Extension Cord Used	Using an extension cord may reduce the power supply to the unit. Plug the appliance directly into power source or ensure maximum length extension cord is 7.6 meters / 25 feet, minimum gauge 12/3.
	Door Not Closed	Ensure door is closed properly, seal is not damaged, and the door latch is secure.
	Water Pan Not Properly Located	Check the water pan to ensure it is sitting properly on the support brackets. See Assembly Instructions for further instruction.
	Faulty Control Panel	Control panel needs to be replaced. Contact Customer Care for a replacement part.
Door Not Closing Properly	Poor Door Alignment	Adjust door hinges to ensure that door is mounted correctly. See Assembly Instructions .
	Damaged Door Seal	Door needs to be replaced. Contact Customer Care for a replacement parts.
Grease Leaking From Cabinet Door	Door Not Closing Properly	Ensure door is closed, seal is not damaged, and the door latch is secure.
	Unit Not Level	Move unit to a level cooking surface. Ensure that there is no damage to the support legs.
	Grease Tray Is Full	Empty grease tray and re-install. Follow Care and Maintenance Instructions .
	Drain Tube Is Clogged	Follow Care and Maintenance Instructions .
No Smoke Is Being Produced	No Wood Chips	Add wood chips to the wood chip box wearing heat-resistant barbecue mitts.
	Element Times Out, Not Enough Heat To Wood Chips	Control Knob is set too low, so the heating element is not staying on long enough to heat the wood chips. First, open rear vents completely to promote airflow. Next, set Control Knob to High to turn on the heating element for 20 minutes.
	Damaged Wood Chip Box	Wood chip box needs to be replaced. Contact Customer Care for a replacement part.

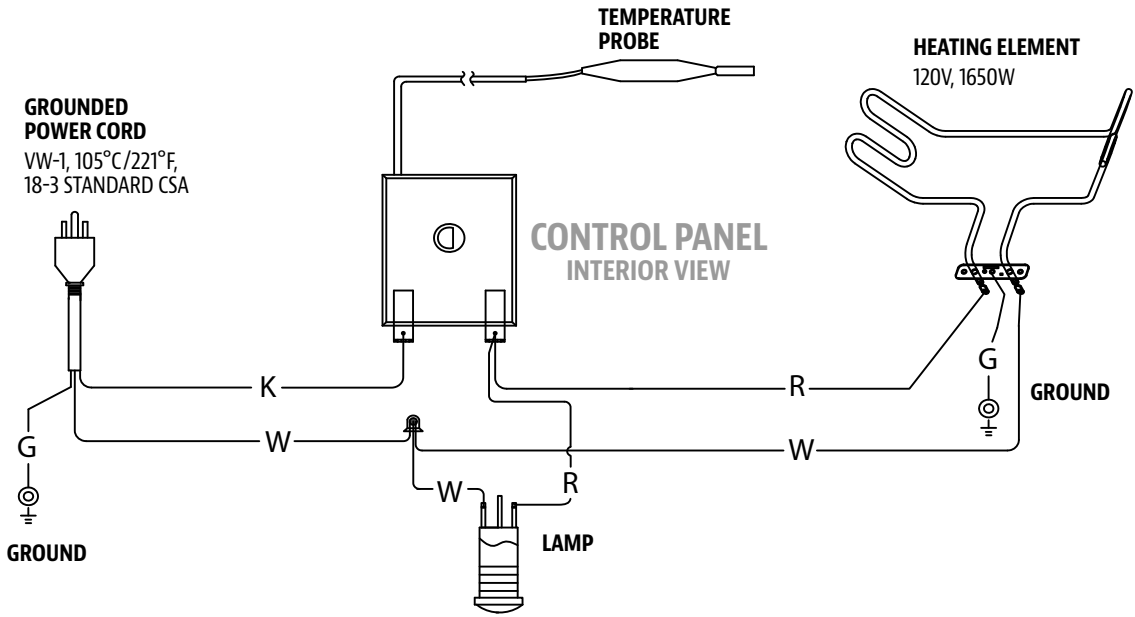
ELECTRICAL WIRE DIAGRAM

The Control Panel system is an intricate and valuable piece of technology. For protection from power surges and electrical shorts, consult the wire diagram below to ensure your power source is sufficient for the operation of the unit.

PB – ELECTRIC REQUIREMENTS 110-120V, 60Hz, 1650W, 3-PRONG GROUNDED PLUG

NOTE: Electrical components, passed by product safety testing and certification services, comply with a testing tolerance of $\pm 5-10$ percent.

ENGLISH

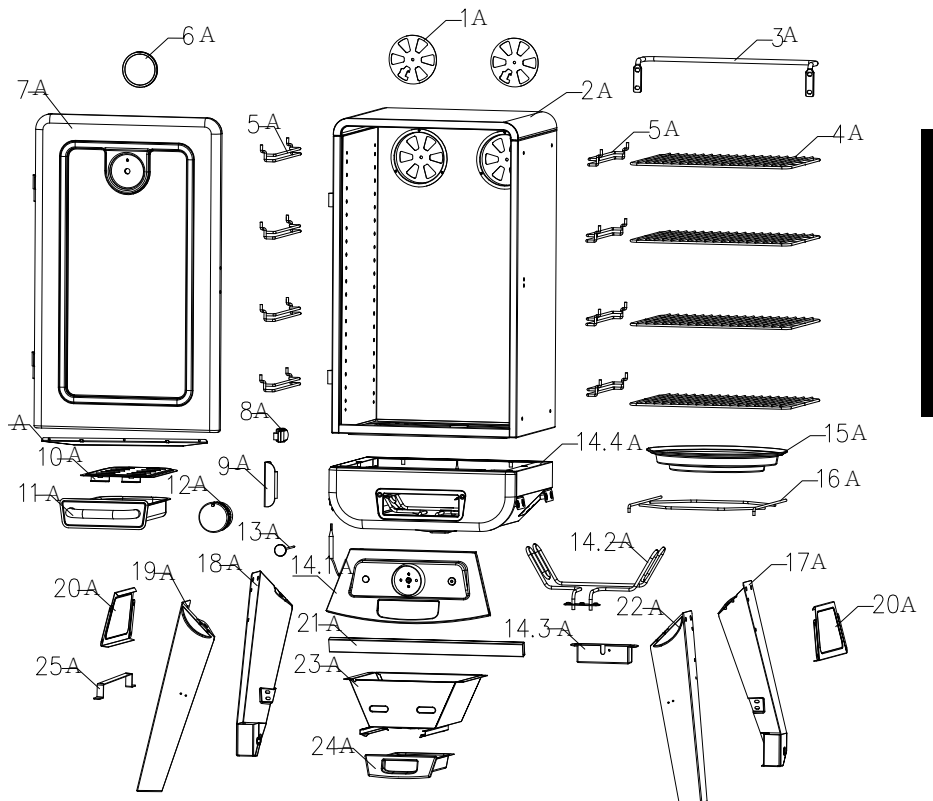


INDEX

- W : WHITE
- R : RED
- K : BLACK
- G : GROUND

REPLACEMENT PARTS

Part#	Description
1-A	Damper Vent (x2)
2-A	Main Cabinet (x1)
3-A	Back Handle (x1)
4-A	Cooking Grates (x4)
5-A	Cooking Grid Support Brackets (x8)
6-A	Heat Indicator (x1)
7-A	Cabinet Door (x1)
8-A	Cabinet Door Latch (x1)
9-A	Cabinet Door Handle (x1)
10-A	Wood Chip Tray Lid (x1)
11-A	Wood Chip Tray Assembly (x1)
12-A	Control Knob (x1)
13-A	Meat Thermometer (x1)
14.1-A	Control Panel Assembly (x1)
14.2-A	Heating Element (x1)
14.3-A	Temperature Sensor (x1)
14.4-A	Cabinet Base (x1)
15-A	Water Pan (x1)
16-A	Water Pan Support (x1)
17-A	Right Rear Leg Assembly (x1)
18-A	Left Rear Leg Assembly (x1)
19-A	Left Front Leg (x1)
20-A	Support Panel (x2)
21-A	Support Bar (x1)
22-A	Right Front Leg (x1)
23-A	Bottom Chamber Assembly (x1)
24-A	Grease Tray (x1)
25-A	Power Cord Bracket (x1)
A-A	¼-20x⅝" Screw (x4)
B-A	¼-20x½" Screw (x12)
C-A	#10-24x½" Screw (x32)
D-A	#10-24 Nut (x2)
E-A	M5 Locking Washer (x2)
F-A	Spare Hardware



NOTE: Due to ongoing product development, parts are subject to change without notice.

WARRANTY

CONDITIONS

All electric smokers by Pit Boss®, manufactured by Dansons, carry a limited warranty from the date of sale by the original owner. The warranty coverage begins on the original date of purchase and proof of date of purchase, or copy of original bill of sale, is required to validate the warranty. Customers will be subject to parts, shipping, and handling fees if unable to provide proof of the purchase or after the warranty has expired.

Dansons carries a five (5) year warranty against defects and workmanship on all parts, and five (5) year on electrical components. Dansons warrants that all part(s) are free of defects in material and workmanship, for the length of use and ownership of the original purchaser. Warranty does not cover damage from wear and tear, such as scratches, dents, dings, chips or minor cosmetic cracks. These aesthetic changes of the smoker do not affect its performance. Repair or replacement of any part does not extend past the limited warranty beyond the five (5) year from date of purchase. During the term of the warranty, Dansons' obligation shall be limited to furnishing a replacement for defective and/or failed components. As long as it is within the warranty period, Dansons' will not charge for repair or replacement for parts returned, freight prepaid, if the part(s) are found by Dansons' to be defective upon examination. Dansons' shall not be liable for transportation charges, labor costs, or export duties. Except as provided in these conditions of warranty, repair or replacement of parts in the manner and for the period of time mentioned heretofore shall constitute the fulfillment of all direct and derivate liabilities and obligations from Dansons to you. Dansons takes every precaution to utilize materials that retard rust. Even with these safeguards, the protective coatings can be compromised by various substances and conditions beyond Dansons' control. High temperatures, excessive humidity, chlorine, industrial fumes, fertilizers, lawn pesticides and salt are some of the substances that can affect metal coatings. For these reasons, the warranty does not cover rust or oxidization, unless there is loss of structural integrity on the smoker component. Should any of the above occur, kindly refer to the care and maintenance section to prolong the lifespan of your unit. Dansons recommends the use of a cover when the smoker is not in use.

This warranty is based on normal domestic use and service of the smoker and neither limited warranty coverage's apply for a smoker which is used in commercial applications.

EXCEPTIONS

There is no written or implied performance warranty on Pit Boss® smokers, as the manufacturer has no control over the installation, operation, cleaning, maintenance or the type of fuel burned. This warranty will not apply nor will Dansons assume responsibility if your appliance has not been installed, operated, cleaned and maintained in strict accordance with this owner's manual. Any use of gas not outlined in this manual may void the warranty. The warranty does not cover damage or breakage due to misuse, improper handling or modifications. Neither Dansons, or authorized Pit Boss® dealer, accepts responsibility, legal or otherwise, for the incidental or consequential damage to the property or persons resulting from the use of this product. Whether a claim is made against Dansons based on the breach of this warranty or any other type of warranty expressed or implied by law, the manufacturer shall in no event be liable for any special, indirect, consequential or other damages of any nature whatsoever in excess of the original purchase of this product. All warranties by manufacturer are set forth herein and no claim shall be made against manufacturer on any warranty or representation. Some states do not allow the exclusion or limitation of incidental or consequential damages, or limitations of implied warranties, so the limitations or exclusions set forth in this limited warranty may not apply to you. This limited warranty gives you specific legal rights and you may have other rights, which vary from state to state.

ORDERING REPLACEMENT PARTS

To order replacement parts, please contact your local Pit Boss® dealer or visit our online store at: www.pitboss-grills.com

CONTACT CUSTOMER CARE

If you have any questions or problems, contact Customer Care.

USA: (480) 923-9630 | CANADA (TOLL FREE): 1-877-942-2246

WARRANTY SERVICE

Contact your nearest Pit Boss® dealer for repair or replacement parts. Danson's requires proof of purchase to establish a warranty claim; therefore, retain your original sales receipt or invoice for future reference. The serial and model number of your Pit Boss® can be found on the back of the unit. Record information below as the label may become worn or illegible.

MODEL

SERIAL NUMBER

DATE OF PURCHASE

AUTHORIZED DEALER

ENGLISH

INFORMATIONS DE SÉCURITÉ

CE MANUEL D'INSTRUCTIONS CONTIENT D'IMPORTANTES INFORMATIONS QUI SONT NÉCESSAIRES À L'UTILISATION CORRECTE ET SÉCURITAIRE DE CET APPAREIL. LIRE ET SUIVRE TOUS LES AVERTISSEMENTS ET INSTRUCTIONS AVANT ET PENDANT L'UTILISATION DE CE FUMOIR. NE PAS SUIVRE CES AVERTISSEMENTS ET CES INSTRUCTIONS PEUT ENTRAÎNER DES BLESSURES CORPORELLES GRAVES OU LA MORT.

Veillez lire et comprendre ce manuel avant d'assembler, d'utiliser ou d'installer le produit. Cela vous assurera de profiter au mieux et sans soucis de votre nouveau fumoir. Nous conseillons également de conserver ce manuel pour référence ultérieure.

DANGERS ET AVERTISSEMENTS

Vous devez communiquer avec votre municipalité, vos autorités locales en matière de feu ou de construction ou toute autre autorité compétente afin d'obtenir les permis nécessaires, la permission ou des renseignements sur toutes les restrictions d'installation, y compris ceux relatifs à l'installation d'un fumoir sur une surface combustible, aux règles d'inspection ou encore aux permis d'utilisation dans votre région.

1. Un dégagement minimum de 457 mm (18 pouces) des constructions combustibles sur les côtés du fumoir et 457 mm (18 pouces) de l'arrière du fumoir aux constructions combustibles doit être maintenu. **Ne pas installer l'appareil sur des planchers combustibles ou des planchers protégés par des surfaces combustibles à moins que des permis et autorisations adéquates n'aient été obtenues par les autorités compétentes.** Ne pas utiliser cet appareil à l'intérieur d'un espace clos et non ventilé, à l'intérieur d'une maison, d'un véhicule, d'une tente ou d'un garage. Cet appareil à granules de bois ne doit pas être placé sous un plafond ou un surplomb combustible. Gardez votre fumoir dans une zone dégagée et exempte de matières combustibles, d'essence et d'autres vapeurs et liquides inflammables

En cas d'incendie de graisse, éteignez le fumoir et laissez la porte de l'armoire fermée jusqu'à ce que le feu soit éteint. Ne pas débrancher la fiche d'alimentation. NE PAS jeter d'eau dessus. NE PAS essayer d'étouffer le feu. L'utilisation d'un extincteur approuvé toutes classes (classe ABC) est précieuse à conserver sur place. Si un incendie non contrôlé se produit, appelez les pompiers.

2. Maintenez l'appareil et les cordons d'alimentation électrique éloignés de l'eau ou d'autres liquides. NE PAS utiliser votre fumoir sous la pluie, lors d'un orage ou autour d'une source d'eau. Pour vous protéger contre les chocs électriques, utilisez uniquement une prise électrique correctement mise à la terre. N'utilisez pas l'appareil avec un cordon ou une fiche endommagés. Si vous utilisez un long cordon d'alimentation détachable (ou une rallonge), assurez-vous que le cordon d'alimentation est au moins aussi performant que le courant nominal de l'appareil et qu'il est relié à la terre. Les rallonges extérieures utilisées avec des produits d'extérieur sont marquées du suffixe « W » et de la mention « utilisable avec des appareils d'extérieur ». Pour réduire le risque de choc électrique, garder la connexion de rallonge au sec et au sol.
3. Après une période de stockage, nettoyez avant utilisation. Une maintenance et un entretien réguliers sont requis pour prolonger la durée de vie de votre unité. Si le fumoir est entreposé à l'extérieur pendant la saison des pluies ou pendant les saisons de forte humidité, il faut veiller à ce que l'eau ne pénètre pas dans l'élément électrique. Veillez à toujours débrancher la prise avant d'effectuer un service ou un entretien.

NE transportez PAS votre fumoir pendant son utilisation ou s'il est chaud. Assurez-vous que le fumoir est complètement froid au toucher avant d'ajuster les grilles de cuisson, d'ajouter des copeaux de bois, de retirer le bac à eau, de le déplacer ou de le ranger. Entreposez l'appareil à l'intérieur lorsque vous ne l'utilisez pas. Ne stockez pas le fumoir électrique avec des cendres chaudes à l'intérieur de l'appareil. Entreposer uniquement lorsque toutes les surfaces sont froides.

4. Il est recommandé d'utiliser des gants de cuisinier résistant à la chaleur et des ustensiles de cuisine longs et robustes lors de l'utilisation de l'appareil. Soyez prudent lorsque vous retirez les aliments du fumoir. Toutes les surfaces sont chaudes et peuvent rester chaudes longtemps après utilisation.
5. Certaines parties du barbecue peuvent être très chaudes et des blessures graves peuvent survenir. Tenir hors de portée des jeunes enfants et des animaux domestiques lors de l'utilisation.

Cet appareil n'est pas conçu pour être utilisé par des enfants, des personnes à capacités physiques, sensorielles ou intellectuelles réduites ou sans expérience ni connaissances, à moins qu'elles soient surveillées directement par une personne responsable de leur sécurité.

6. N'utilisez pas cet appareil comme appareil de chauffage ou à d'autres fins que celles pour lesquelles il a été conçu. Cet appareil n'est pas destiné à un usage commercial.

L'appareil doit être alimenté par un dispositif à courant résiduel (RCD) ayant un courant de fonctionnement résiduel nominal ne dépassant pas 30 mA. L'appareil doit être connecté à une prise de courant ayant un contact de terre (pour les appareils de classe I).

ÉLIMINATION DES CENDRES

Les cendres devraient être déposées dans un contenant métallique avec couvercle hermétique. Le contenant fermé de cendres devrait être placé sur un plancher non combustible ou sur le sol, loin de toute matière combustible en attendant leur élimination définitive. Lorsque les cendres sont disposées par enterrement dans le sol, ou dispersées localement, elles doivent être conservées dans un récipient fermé jusqu'à ce que toutes les cendres aient été complètement refroidies.

CRÉOSOTE

La créosote, ou la suie, est une substance goudronneuse produite quand du bois brûle. Lors de la combustion, il produit de la fumée noire avec un résidu qui est également de couleur noire. Lorsqu'il n'est pas enlevé, il peut former une couche épaisse et dure de débris sur toutes les surfaces, ce qui constitue une menace pour votre appareil. Il est dangereux de faire fonctionner cet appareil si la flamme devient très sombre et charbonneuse.

Si le créosote prend feu, il engendre un feu extrêmement vif et non maîtrisé, similaire à un feu de graisse. Dans ce cas, éteignez l'unité, laissez-la refroidir complètement, puis inspectez-la pour l'entretien et le nettoyage. Il s'accumule généralement le long des zones d'échappement, comme une cheminée, un registre de ventilation ou une porte d'armoire.

Si de la créosote s'est accumulée dans l'unité, laissez l'unité se réchauffer à basse température, éteignez l'appareil, puis essuyez toute formation à l'aide d'une serviette à main. À l'instar du goudron, il est beaucoup plus facile de nettoyer à chaud, car il devient liquide

LE MONOXYDE DE CARBONE (« LE TUEUR SILENCIEUX »)

Les copeaux de bois brûlants dégagent du monoxyde de carbone, qui n'a pas d'odeur et peut causer la mort. Ne brûlez pas de copeaux de bois à l'intérieur des maisons, des véhicules, des tentes, des garages ou dans des endroits fermés. Utilisez uniquement à l'extérieur dans un endroit bien ventilé.

Le monoxyde de carbone est un gaz incolore, inodore et sans goût produit par la combustion des gaz, du bois, du propane, du charbon ou d'autres combustibles. Le monoxyde de carbone réduit la capacité du sang à transporter l'oxygène. Les faibles niveaux d'oxygène sanguin peuvent entraîner des maux de tête, des étourdissements, des faiblesses, des nausées, des vomissements, de la somnolence, de la confusion, de la perte de conscience ou la mort. Suivez les directives suivantes pour empêcher ce gaz incolore et inodore de vous empoisonner ainsi que votre famille et les autres :

- Consultez un médecin si vous ou les autres développez des symptômes similaires à un rhume ou la grippe quand vous cuisinez ou quand vous vous trouvez à proximité de l'appareil. L'empoisonnement au monoxyde de carbone, qui peut facilement être confondu avec le rhume ou la grippe, est souvent détecté trop tard.
- La consommation d'alcool et de drogues augment les effets de l'empoisonnement au monoxyde de carbone.

Le monoxyde de carbone est particulièrement toxique pour la mère et l'enfant pendant la grossesse, pour les nourrissons, les personnes âgées, les fumeurs et les personnes souffrant de problèmes de circulation sanguine ou du système circulatoire, tels que l'anémie ou les maladies cardiaques.

LISTE DE SÉCURITÉ

En conformité avec les procédures et les spécifications énumérées dans la norme UL1026 (6e édition) / CSA-22.2 No. 60335-2-78:14 & CSA-22.2 No. 60335-1:11 appareils électroménagers de cuisson et de service alimentaire. Les appareils de cuisson électriques de Pit Boss® Grills ont été testés indépendamment et classés par CSA (un laboratoire d'essai accrédité) aux normes ETL, UL, ULC et CSA.





AVIS SUR LES DROITS D'AUTEUR

Droit d'auteur 2022. Tous droits réservés. Nulle partie de ce manuel ne peut être reproduite, transmises, transcrite ou stockée dans un système de recherche de quelque façon que ce soit sans l'autorisation préalable écrite de,

Dansons

8877 North Gainey Center Drive, Scottsdale, AZ, USA 85258

www.pitboss-grills.com

Service client

ÉTATS-UNIS: (480) 923-9630

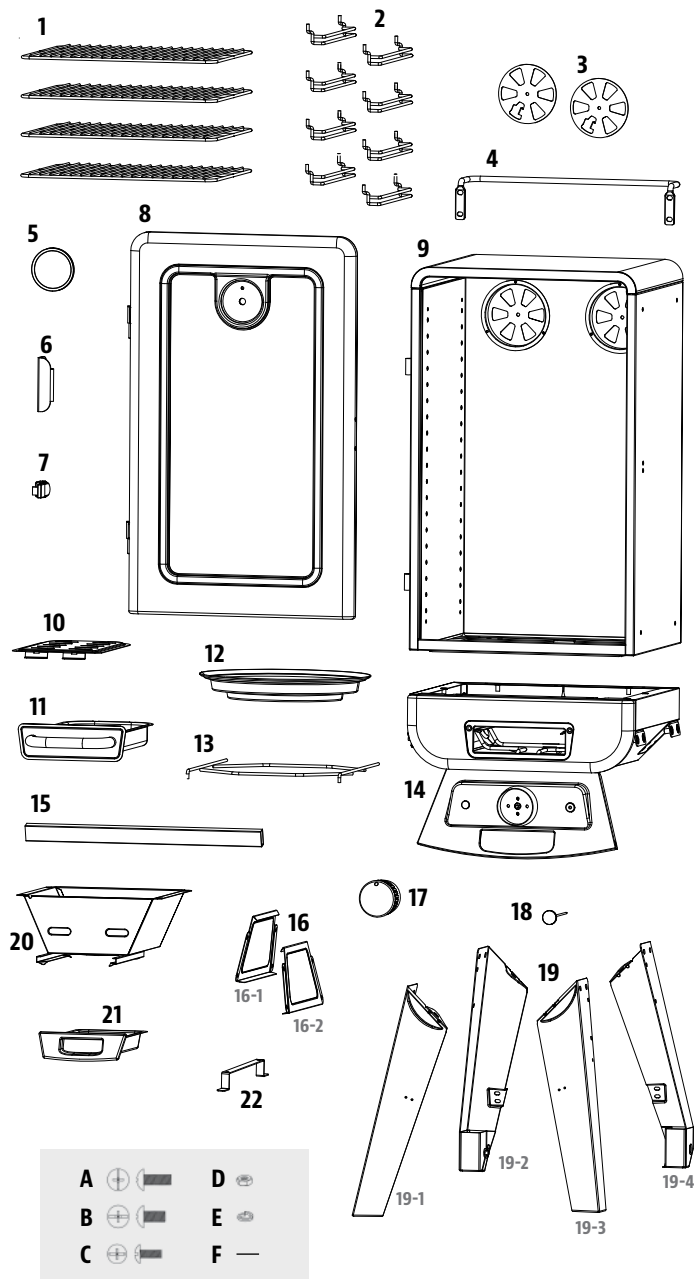
CANADA (SANS FRAIS): 1-877-942-2246

TABLE DES MATIÈRES

Informations de sécurité	26	Entretien et maintenance	40
Pièces et spécifications	30	Lignes directrices pour la cuisine	42
Préparation de l'assemblage	31	Conseils et techniques	43
Instructions d'assemblage		Dépannage	44
Montage des pieds de support sur la base de l'armoire	31	Schéma du câblage électrique	46
Fixer correctement le panneau de commande aux pieds de support avant	31	Pièces de rechange	47
Fixation de la barre d'appui	32	Garantie	
Montage des panneaux de support	32	Conditions	48
Montage de la chambre inférieure	32	Exceptions	48
Montage du support du cordon d'alimentation	33	Commande de pièces de remplacement	48
Installation des registres dans l'armoire principale	33	Appelez le Service client	48
Montage de la poignée arrière	33	Service de garantie	49
Assemblage de l'armoire principale à la base de l'armoire	34		
Installation des composants de cuisson	34		
Montage de l'indicateur de chaleur	35		
Fixation de la poignée et du loquet de la porte d'armoire	35		
Assemblage et installation du plateau pour copeaux de bois	35		
Montage du bouton de commande	36		
Installation du plateau à graisse	36		
Connexion à une source d'alimentation	36		
Mode d'emploi			
Environnement du fumoir	37		
Gammes de température du fumoir	38		
Première utilisation - durcissement et brûlage	38		
Procédure de mise en marche	39		
Remplissage du réservoir d'eau	39		
Rechargement du plateau pour copeaux de bois	40		
Éteindre votre fumoir	40		

PIÈCES ET SPÉCIFICATIONS

No.	Description des pièces
1	Grilles de cuisson (x4)
2	Supports de la grille de cuisson (x8)
3	Registre de ventilation (x2)
4	Poignée arrière (x1)
5	Indicateur de chaleur (x1)
6	Poignée de porte d'armoire (x1)
7	Loquet de porte d'armoire (x1)
8	Porte d'armoire (x1)
9	Armoire principale (x1)
10	Couvercle du plateau pour copeaux de bois (x1)
11	Plateau pour copeaux de bois (x1)
12	Réservoir d'eau (x1)
13	Support du réservoir d'eau (x1)
14	Base de l'armoire (x1)
15	Barre d'appui (x1)
16	Panneaux de support (x2)
17	Bouton de commande (x1)
18	Thermomètre à viande (x1)
19	Pieds de support (x4)
20	Chambre inférieure (x1)
21	Plateau à graisse (x1)
22	Support de cordon d'alimentation (x1)
A	Vis $\frac{1}{4}$ -20x $\frac{5}{8}$ po (x4)
B	Vis $\frac{1}{4}$ -20x $\frac{1}{2}$ po (x12)
C	Vis #10-24x $\frac{1}{2}$ po (x32)
D	Écrou #10-24 (x2)
E	Rondelle-frein M5 (x2)
F	Matériel de rechange



REMARQUE : En raison du développement continu du produit, les pièces peuvent être modifiées sans préavis. Contactez le service clientèle si des pièces manquent lors de l'assemblage de l'appareil.

PB - EXIGENCES ÉLECTRIQUES

110-120V, 60Hz, 1 650W, FICHE À 3 BROCHES MISE À LA TERRE

MODÈLE	UNITÉ ASSEMBLÉE (WxHxD)	POIDS DE L'UNITÉ	SURFACE DE CUISSON	PLAGE DE TEMPÉRATURE
PB PBV3A1	580 mm x 1,192 mm x 545 mm / 22,8 po. x 46,9 po. x 21,5 po.	27,5 kg / 60,6 lb	Cuisson cubique: 0,07 m ³ / 2,7 pd ³ TOTAL - 4 825 cm ² / 748 po ²	38-162 °C / 100-325 °F

PRÉPARATION DE L'ASSEMBLAGE

Les pièces se trouvent dans l'emballage, y compris sous le fumeur. Inspectez l'appareil, les pièces et l'emballage de l'équipement après avoir retiré l'emballage de protection en carton. Jeter tout le matériel d'emballage à l'intérieur et à l'extérieur du fumeur avant l'assemblage, puis inspecter et inspecter toutes les pièces en se référant à la liste de pièces. En cas de pièce manquante ou endommagée, n'essayez pas de l'assembler. Les dommages pendant le transport ne sont pas couverts par la garantie. Contactez votre revendeur ou le service clientèle Pit Boss® pour les pièces.

ÉTATS-UNIS: (480) 923-9630 | CANADA (SANS FRAIS): 1-877-942-2246

IMPORTANT : Pour faciliter l'installation, être deux personnes est utile (mais pas nécessaire) lors de l'assemblage de cet appareil.

Outils nécessaires pour l'assemblage : tournevis et niveau d'eau. Outils non inclus. *Outils non inclus.*



INSTRUCTIONS D'ASSEMBLAGE

IMPORTANT : Il est recommandé de lire soigneusement chaque étape avant de commencer à assembler selon les instructions. Ne pas serrer complètement les vis jusqu'à ce que toutes les vis de cette étape aient été installées, ou sauf mention contraire.

1. MONTAGE DES PIEDS DE SUPPORT SUR LA BASE DE L'ARMOIRE

Pièces nécessaires :

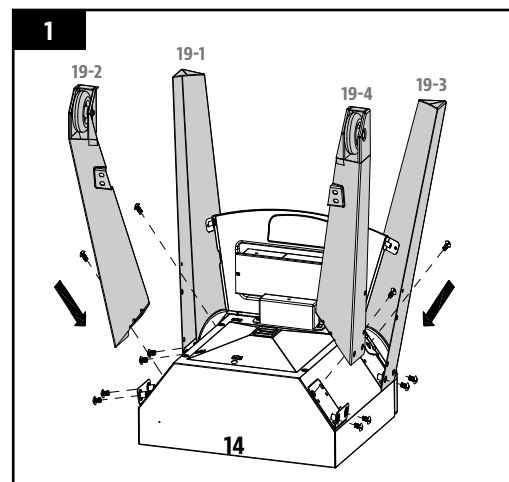
- 1 x Base de l'armoire (#14)
- 4 x Pieds de support (#19)
- 12 x Vis $\frac{1}{4}$ -20x $\frac{1}{2}$ po (#B)

Installation :

- Placez un morceau de carton sur le sol pour éviter de rayer l'unité. Ensuite, posez la base de l'armoire sur le sol, à l'envers. Préparez les quatre pieds de support avant de les installer sur la base de l'armoire, en les disposant comme indiqué sur l'illustration.

IMPORTANT : Les quatre pieds de support doivent être correctement disposés afin de pouvoir installer les panneaux de support et la barre d'appui lors d'une prochaine étape.

- Montez un pied de support sur la base de l'armoire à l'aide de trois vis. Répétez le processus pour les trois autres pieds de support. Serrez complètement les vis intérieures, mais laissez les vis extérieures partiellement desserrées.



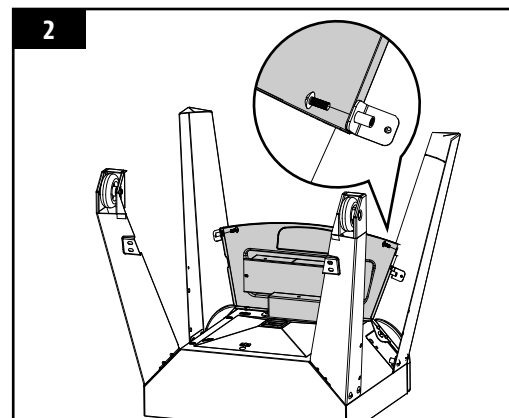
2. FIXER CORRECTEMENT LE PANNEAU DE COMMANDE AUX PIEDS DE SUPPORT AVANT

Pièces nécessaires :

- 2 x Vis #10-24x $\frac{1}{2}$ po (#C)

Installation :

- Près du panneau de commande, desserrez les deux vis reliant le panneau avant à l'armoire principale.
- À l'aide de deux autres vis, fixez les côtés du panneau avant aux pieds de support orientés vers l'avant. Une fois ces vis serrées, resserrez les deux vis précédemment desserrées.



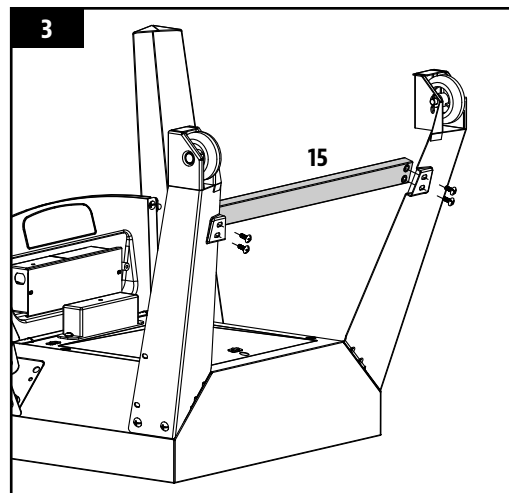
3. FIXATION DE LA BARRE D'APPUI

Pièces nécessaires :

- 1 x Barre d'appui (#15)
- 4 x Vis #10-24x½ po (#C)

Installation :

- Installez le support à l'arrière de l'unité entre les deux pieds de support arrière. Fixez en utilisant deux vis de chaque côté. Assurez-vous que le support est placé sur le dessous de l'armoire principale, vers l'intérieur. Regardez l'illustration pour assembler les supports.



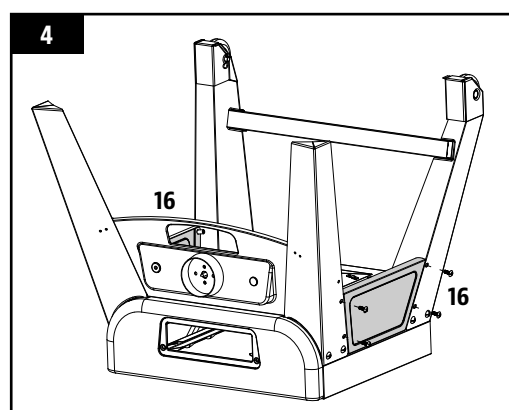
4. MONTAGE DES PANNEAUX DE SUPPORT

Pièces nécessaires :

- 2 x Panneaux de support (#16)
- 8 x Vis #10-24x½ po (#C)

Installation :

- Installez un panneau de support sur le côté de l'unité entre un pied de support avant et un arrière. Fixez en utilisant deux vis de chaque côté. Assurez-vous que le côté plat de la plaque de support est orienté vers l'extérieur. Répétez le même processus pour assembler les autres panneaux de support. Regardez l'illustration pour assembler les panneaux de support.



REMARQUE : Le panneau de support avec deux trous le long du bas doit être sur le même côté de l'unité que le cordon d'alimentation qui sort du panneau de commande (côté gauche). C'est important pour les prochaines étapes.

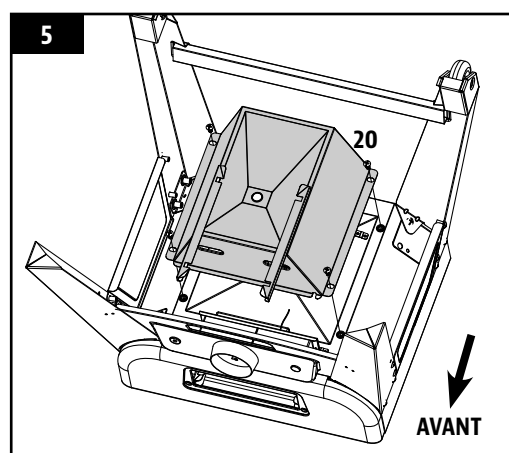
5. MONTAGE DE LA CHAMBRE INFÉRIEURE

Pièces nécessaires :

- 1 x Chambre inférieure (#20)
- 4 x Vis #10-24x½ po (#C)

Installation :

- Fixez la chambre inférieure sur la base de l'armoire à l'aide de quatre vis. Assurez-vous que les rails du plateau à graisse sont tournés vers l'avant de l'appareil. Notez l'illustration pour le positionnement correct.



6. MONTAGE DU SUPPORT DU CORDON D'ALIMENTATION

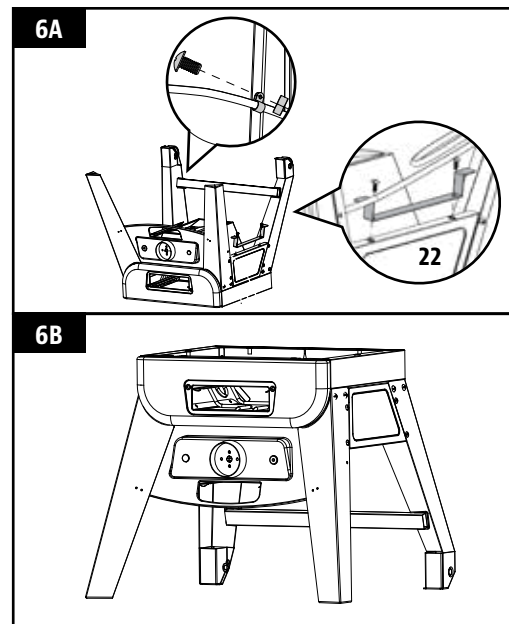
Pièces nécessaires :

- 1 x Support de cordon d'alimentation (#22)
- 2 x Vis #10-24x½ po (#C)

Installation :

- Desserrez la vis du clip du cordon d'alimentation sur le pied de support et guidez le cordon d'alimentation à travers le clip du cordon d'alimentation pour le fixer.
- Repérez les deux trous sur le bas du support (côté gauche). Montez le support du cordon d'alimentation sur le panneau de support à l'aide de deux vis, comme indiqué sur l'illustration 6A. Une fois sécurisé, enroulez le cordon d'alimentation sur le support jusqu'à ce que l'appareil soit utilisé.
- Procédez au serrage complet de toutes les vis de la base de l'armoire, puis redressez délicatement le chariot avec les roues en bas. Illustration 6B.

IMPORTANT: Assurez-vous que toutes les vis sur la base de l'armoire sont bien serrées pour éviter que les vis ne tombent lorsque l'unité est déplacée.



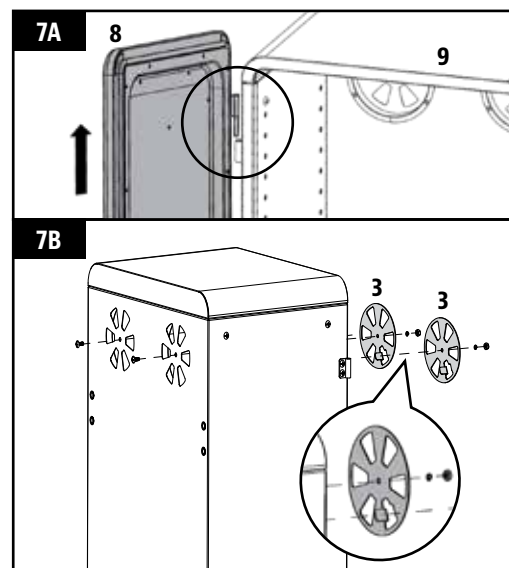
7. INSTALLATION DES REGISTRES DANS L'ARMOIRE PRINCIPALE

Pièces nécessaires :

- 1 x Armoire principale (#9)
- 2 x Registre de ventilation (#3)
- 2 x Vis #10-24x½ po (#C)
- 2 x Écrou de blocage #10-24 (#D)
- 2 x Rondelle-frein M5 (#E)

Installation :

- D'abord, soulevez la porte de l'armoire principale hors des charnières et mettez-la de côté. Illustration 7A.
- Placez une vis de l'extérieur de l'armoire principale dans le centre de chaque registre. Ensuite, insérez un registre à l'intérieur de l'armoire principale avec la languette surélevée vers l'arrière et fixez la vis de l'extérieur à l'aide d'une rondelle-frein et d'un écrou de blocage. Répétez le même processus pour le deuxième registre, comme indiqué sur l'illustration 7B.



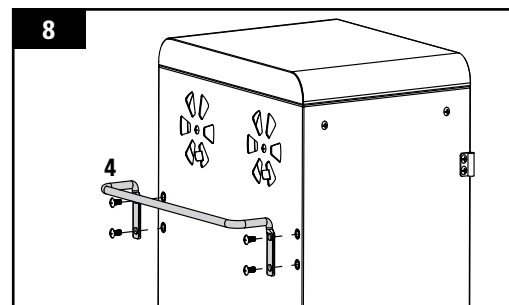
8. MONTAGE DE LA POIGNÉE ARRIÈRE

Pièces nécessaires :

- 1 x Poignée arrière (#4)
- 4 x Vis ¼-20x5/8 po (#A)

Installation :

- Montez la poignée au dos de l'armoire principale en utilisant quatre vis. Regardez la position correcte indiquée, avec la poignée sur le dessus.



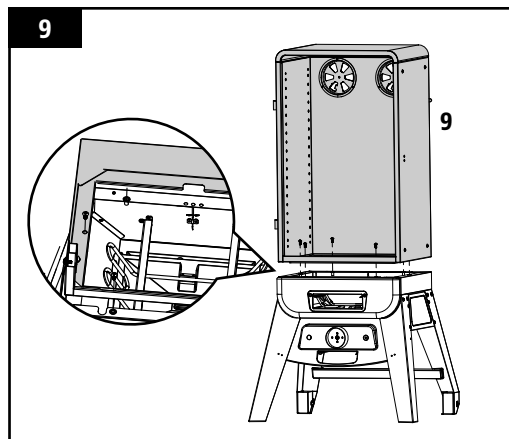
9. ASSEMBLAGE DE L'ARMOIRE PRINCIPALE À LA BASE DE L'ARMOIRE

Pièces nécessaires :

6 x Vis #10-24x½ po (#C)

Installation :

- Assemblage de l'armoire principale à la base de l'armoire Placez la base de l'armoire à côté de l'armoire principale, les deux orientés dans la même direction. Soulevez prudemment l'armoire principale et placez-la sur la base. Fixez l'armoire principale à la base à l'aide de six vis (#C).



10. INSTALLATION DES COMPOSANTS DE CUISSON

Pièces nécessaires :

8 x Supports de la grille de cuisson (#2)

4 x Grilles de cuisson (#1)

1 x Réservoir d'eau (#12)

1 x Support du réservoir d'eau (#13)

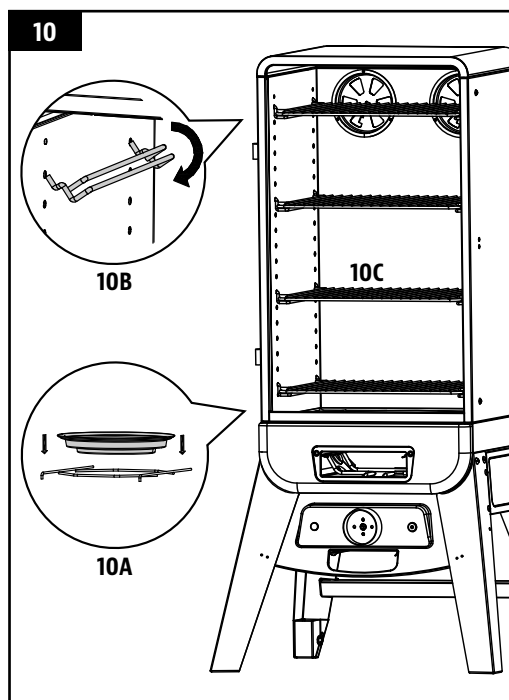
Installation :

- Insérez le support du réservoir d'eau en bas de l'armoire intérieure principale, puis placez le réservoir dans le support. Illustration 10A.

REMARQUE: Assurez-vous qu'il y ait toujours de l'eau dans le réservoir pendant la cuisson. Il va récupérer la graisse et les gouttes de vos aliments et permettre un nettoyage plus facile. Si vous fumez des aliments pendant une période prolongée, mettez le réservoir d'eau plus haut pour que l'eau dure plus longtemps.

- Ensuite, insérez six supports de grille de cuisson dans les trous situés le long des parois intérieures de l'armoire intérieure principale. Une fois les supports dans les trous, inclinez-les vers le bas pour qu'ils soient fixés dans la bonne position. Répétez le même processus, en faisant correspondre les hauteurs pour la paroi du côté droit. Illustration 10B.
- Enfin, placez les grilles de cuisson sur les supports à l'intérieur de l'armoire principale. Illustration 10C.

ATTENTION: Ne modifiez la hauteur entre chaque grille de cuisson que lorsque le fumoir est complètement refroidi pour éviter les blessures.



11. MONTAGE DE L'INDICATEUR DE CHALEUR

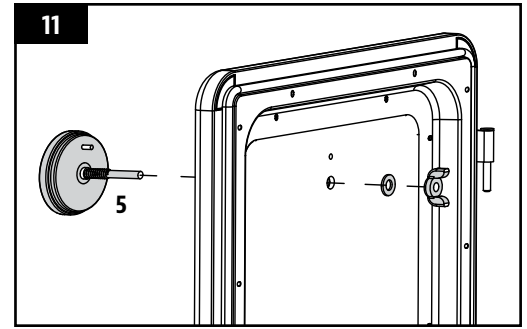
Pièces nécessaires :

- 1 x Indicateur de chaleur (#5)
- 1 x Porte d'armoire (#8)

Installation:

- Retirez la rondelle et l'écrou papillon de l'indicateur de chaleur emballée.
- Insérez l'indicateur de chaleur dans le trou de montage à l'avant de la porte de l'armoire, placez la rondelle sur le filetage à l'intérieur de la porte et serrez à la main pour la fixer.

REMARQUE: L'indicateur est fournie avec une rondelle et un écrou papillon.



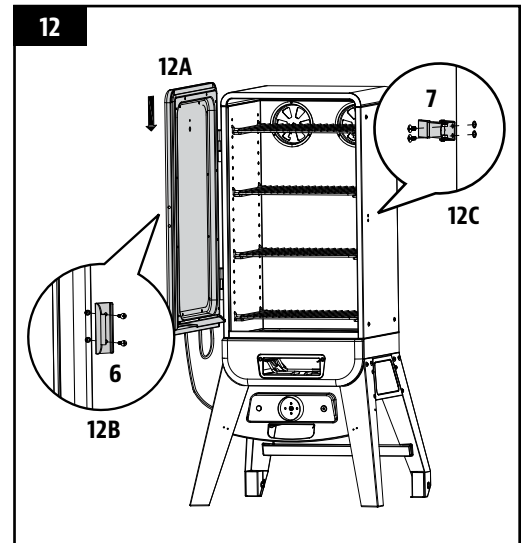
12. FIXATION DE LA POIGNÉE ET DU LOQUET DE LA PORTE D'ARMOIRE

Pièces nécessaires :

- 1 x Poignée de porte d'armoire (#6)
- 1 x Loquet de porte d'armoire (#7)
- 4 x Vis #10-24x1/2 po (#C)

Installation :

- Tout d'abord, remontez la porte sur l'armoire principale en alignant et en fixant les deux charnières. Assurez-vous que la porte est correctement montée en regardant si elle s'ouvre correctement. Illustration 12A.
- Montez la poignée de la porte de l'armoire sur le côté avant de la porte à l'aide de deux vis. Vérifiez l'emplacement correct sur l'illustration 12B.
- Montez le loquet de la porte de l'armoire sur le côté extérieur de l'armoire principale à l'aide de deux vis. Illustration 12C.



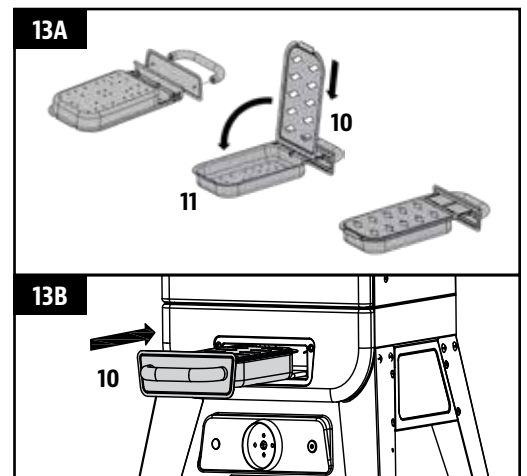
13. ASSEMBLAGE ET INSTALLATION DU PLATEAU POUR COPEAUX DE BOIS

Pièces nécessaires :

- 1 x Couvercle du plateau pour copeaux de bois (#10)
- 1 x Plateau pour copeaux de bois (#11)

Installation :

- Tout d'abord, assemblez le plateau à copeaux de bois en fixant la façade et la poignée à l'aide de deux vis. Ensuite, insérez le couvercle du plateau à copeaux de bois dans les fentes du couvercle puis sur le plateau, et rabattez le couvercle pour le fermer. Illustrations 13A.
- Glissez le plateau à copeaux de bois l'ouverture au-dessus du tableau de commande sur le panneau avant de l'unité. Illustration 13B.



14. MONTAGE DU BOUTON DE COMMANDE

Pièces nécessaires :

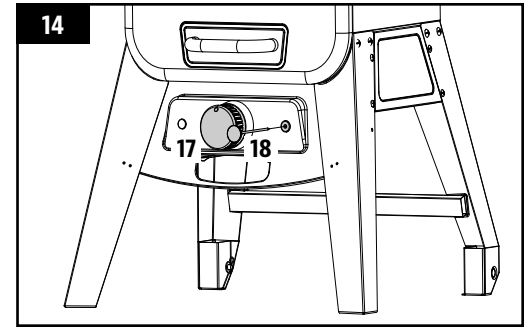
- 1 x Bouton de commande (#17)
- 1 x Thermomètre à viande (#18)

Installation :

- Montez le bouton de commande sur le panneau avant de l'unité. Poussez fermement la molette de commande dans le panneau avant jusqu'à ce qu'elle soit bien en place.

IMPORTANT: veillez à aligner la partie plate de la tige avec la partie plate du bouton de commande. Cela assurera une connexion correcte aux composants électriques.

- Faites glisser le thermomètre à viande dans le panneau avant.



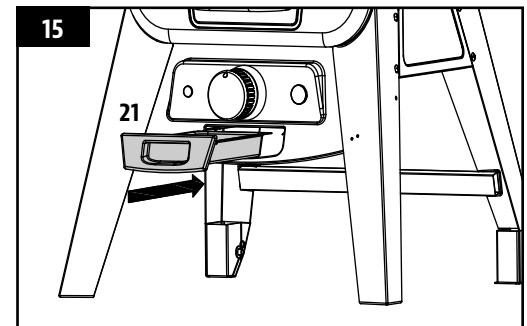
15. INSTALLATION DU PLATEAU À GRAISSE

Pièces nécessaires :

- 1 x Plateau à graisse (#21)

Installation :

- Faites glisser le plateau à graisse dans l'ouverture située sous le tableau de commande sur le panneau avant de l'unité. Assurez-vous que le plateau à graisse repose correctement sur les rails.
- L'unité est maintenant complètement assemblée.



16. CONNEXION À UNE SOURCE D'ALIMENTATION

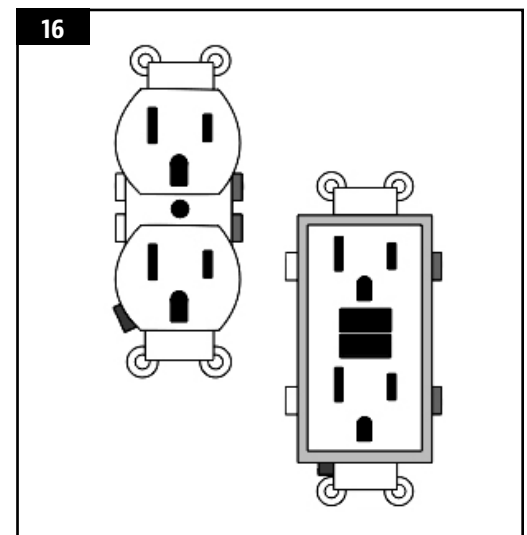
• PRISE STANDARD

Cet appareil nécessite un voltage de 110-120 Volts, 60Hz, 1 650w. Il doit utiliser une fiche de mise à la terre à 3 broches. Assurez-vous que la mise à la terre n'est pas rompue avant utilisation.

• LES PRISES DDFT

Cet appareil fonctionnera sur la plupart des prises DDFT, avec une taille recommandée de 15 ou 20 ampères. Si votre prise DDFT est très sensible aux surtensions, elle sera probablement touchée par un court-circuit pendant la phase d'allumage. Pendant la phase d'allumage, l'allumeur nécessite entre 200 et 700 watts de tension, ce qui peut représenter trop de puissance pour une prise DDFT. À chaque fois qu'une prise est court-circuitée, sa sensibilité augmente. Si le DDFT continue de sauter, remplacez la prise ou passez à une prise non DDFT.

IMPORTANT: Débranchez l'unité de la source d'alimentation lorsqu'elle ne sert pas.



MODE D'EMPLOI

Avec notre style de vie d'aujourd'hui et l'envie de vivre et de manger sainement, un facteur important à considérer est la nécessité de réduire nos apports en matières grasses. L'une des meilleures façons de réduire les graisses dans votre régime alimentaire est d'utiliser une méthode de cuisson savoureuse comme le fumage. Comme ce fumoir électrique utilise des copeaux de bois pour fumer, la saveur de bois naturel est infusée dans les viandes, ce qui réduit le besoin de rajouter des sauces à base de sucre.

ENVIRONNEMENT DU FUMOIR

1. OÙ INSTALLER LE FUMOIR

Avec tous les appareils extérieurs, les conditions météorologiques extérieures jouent un rôle important dans la performance de votre fumoir et le temps de cuisson nécessaire pour parfaire vos repas. Il convient de conserver une distance minimum de 457 mm (18 pouces) entre toutes les unités Pit Boss® et les matériaux combustibles, et cette distance doit être conservée pendant l'utilisation du fumoir. Cet appareil ne doit pas être placé sous un plafond ou un surplomb combustible. Gardez votre fumoir dans une zone dégagée et exempte de matières combustibles, d'essence et d'autres vapeurs et liquides inflammables.

2. CUISINER PAR TEMPS FROIDS

Lorsqu'il commence à faire plus frais dehors, cela ne signifie pas que vous ne pouvez plus cuisiner à l'extérieur! L'air frais et l'arôme divin des aliments fumés aideront à guérir votre blues d'hiver. Suivez les suggestions suivantes sur la façon de profiter de votre fumoir pendant les mois les plus frais :

- Si le fumage à basse température échoue, augmentez légèrement la température pour obtenir les mêmes résultats.
- Organisez – Préparez tout ce dont vous avez besoin dans la cuisine avant de vous diriger à l'extérieur. Pendant l'hiver, déplacez votre fumoir dans un endroit protégé du vent et du froid. Vérifiez les règlements locaux concernant la proximité de votre fumoir par rapport à votre maison et/ou autres constructions. Mettez tout ce dont vous avez besoin sur un plateau, emballez et lancez-vous!
- Pour suivre la température extérieure, placez un thermomètre extérieur près de votre zone de cuisson. Gardez un journal ou un historique de ce que vous avez préparé, de la température extérieure et du temps de cuisson. Cela sera utile plus tard pour vous aider à déterminer ce qu'il faut cuisiner et combien de temps cela prendra.
- Par temps très froid, augmentez votre temps de préchauffage d'au moins 20 minutes.
- Évitez d'ouvrir la porte de l'armoire du fumoir plus que nécessaire. Les rafales de vents froids peuvent refroidir complètement votre température interne. Soyez souple quant au moment de servir; ajoutez plus de temps à la cuisson à chaque fois que vous ouvrez la porte.
- Ayez un plateau chauffé ou un couvercle de plat prêt à garder votre nourriture au chaud tout en faisant le voyage à l'intérieur.
- Les aliments idéaux pour la cuisine d'hiver sont ceux qui nécessitent peu d'attention, comme les rôtis, les poulets entiers, les côtes et la dinde. Rendez votre préparation de repas encore plus facile en ajoutant des éléments simples comme les légumes et les pommes de terre.

3. CUISINER PAR TEMPS CHAUDS

À mesure qu'il fait plus chaud à l'extérieur, le temps de cuisson diminue. Une tenue correcte est importante quand il fait vraiment chaud : un short, t-shirt, des chaussures, un chapeau, un tablier et une grosse portion de crème solaire sont recommandés. Suivez ces suggestions sur la façon de profiter de votre fumoir pendant les mois chauds :

- Ajustez à la baisse vos températures de cuisson. Cela permet d'éviter les poussées indésirables.
- Utilisez un thermomètre à viande pour déterminer la température interne de vos aliments. Ceci permet d'éviter que votre viande ne soit trop cuite ou se dessèche.
- Même par temps chaud, gardez la porte de l'armoire du fumoir fermée en tout temps.
- Vous pouvez garder vos aliments chauds au chaud en les enveloppant dans du papier aluminium et en les plaçant dans une glacière isolée. Placez du papier journal froissé autour du papier aluminium et cela tiendra la nourriture chaude pendant 3 à 4 heures.

GAMMES DE TEMPÉRATURE DU FUMOIR

Toutes les températures indiquées ci-dessous sont approximatives et sont affectées par les facteurs suivants : la température ambiante extérieure, la quantité et la direction du vent, la qualité des copeaux de bois utilisés, l'ouverture de la porte de l'armoire et la quantité de nourriture en cours de cuisson.

- **TEMPÉRATURE MOYENNE (135-162 ° C / 275-325 ° F)**

Cette gamme est idéale pour cuire au four, rôtir et terminer votre création à fumaison lente. La cuisson à ces températures réduira considérablement les risques de poussée de graisse. Excellente gamme pour cuisiner n'importe quoi enveloppé dans du bacon, ou où vous voulez une polyvalence avec contrôle.

- **BASSES TEMPÉRATURES (38-122 ° C / 100-250 ° F)**

Cette gamme permet rôtir lentement, d'augmenter la saveur fumée et de garder les aliments au chaud. Infusez plus de saveur fumée et gardez vos viandes juteuses en cuisinant plus longtemps à une température plus basse (également connu sous le nom de faible et lent). Hautement recommandé pour la grande dinde de Thanksgiving, le jambon juteux à Pâques, ou l'immense fête de Noël.

Le fumage est une variation de vrai barbecue et est vraiment le premier avantage d'un fumoir. Il existe deux types de fumage : le fumage à chaud et le fumage à froid.

- **Le fumage à chaud**, un autre nom pour la cuisson **faible et lente**, se fait généralement à 38-122° C / 100-250° F. Le fumage à chaud fonctionne mieux lorsqu'un temps de cuisson plus long est nécessaire, comme pour les grandes coupes de viande, de poisson ou de volaille.
- **Le fumage à froid** se fait quand les aliments se situent tellement loin de la source de chaleur qu'ils fument sans cuire, et à des températures allant de 15 ° C à 32 ° C / 60 ° F à 90 ° F.

CONSEIL: Pour intensifier cette saveur savoureuse, fumez vos aliments avant d'augmenter la chaleur pour cuire entièrement vos viandes. Cela permet à la fumée de pénétrer dans les viandes, avant que les pores de la viande ne se ferment à 49 ° C / 120 ° F.

La clé consiste à expérimenter le temps que vous autorisez à fumer, avant que le repas ne soit cuit. Certains chefs de plein air préfèrent fumer à la fin d'une cuisson, ce qui permet à la nourriture de rester au chaud jusqu'à ce qu'elle soit prête à être servie. La pratique rend parfait!!

PREMIÈRE UTILISATION - DURCISSEMENT ET BRÛLAGE

Avant d'utiliser votre fumoir pour la première fois avec de la nourriture, il est important d'effectuer une surchauffe pour durcir la finition intérieure et extérieure de votre appareil. Démarrez le fumoir et réglez-le à une température supérieure à 121 ° C / 250 ° F avec la porte du meuble fermée pendant 30 à 40 minutes pour surchauffer l'appareil et éliminer les corps étrangers.

IMPORTANT: Le durcissement de votre fumoir est important pour en assurer un fonctionnement et un entretien à long terme. Si la surchauffe n'est pas effectuée, la finition extérieure ne sera pas fixée correctement, et une odeur de peinture pourrait donner des saveurs anormales à votre premier repas préparé.

PROCÉDURE DE MISE EN MARCHÉ

1. Ouvrez la porte de l'armoire et remplissez soigneusement le réservoir d'eau jusqu'aux trois-quarts avec de l'eau ou de la marinade.

IMPORTANT: Ne remplissez pas complètement ou ne remplissez pas trop le réservoir d'eau, car cela pourrait endommager votre élément électrique et / ou des pièces pendant l'utilisation du fumoir.

2. Ajustez les grilles de cuisson et les supports de grille à la hauteur désirée selon les aliments que vous avez l'intention de fumer. Une fois satisfait de la hauteur de vos grilles, fermez la porte de l'armoire.
3. Retirez le plateau pour copeaux de bois. Ouvrez le couvercle du plateau pour copeaux de bois, ajoutez des copeaux de bois, puis faites-le glisser vers l'avant de l'armoire.

REMARQUE: Nous recommandons d'utiliser des copeaux de bois, pas des morceaux de bois, car les copeaux de bois sont plus petits et plus faciles à installer dans le bac à copeaux de bois.

4. Branchez le cordon d'alimentation dans une source d'alimentation mise à la terre.
5. Réglez le bouton de commande sur ÉLEVÉ et laissez le fumeur chauffer pendant les 20 premières minutes. L'indicateur de chaleur à l'avant de l'appareil vous avertira lorsque le fumeur est proche de la température souhaitée. À ce moment, les copeaux de bois devraient produire une fumée abondante.

CONSEIL: Gardez les volets de ventilation complètement ouverts pendant les 20 premières minutes pour bien fumer vos copeaux de bois. Gardez les événements de volet partiellement ou complètement ouverts lorsque vous cuisinez à des températures plus basses; fermez les événements du registre lorsque vous utilisez des températures de cuisson plus élevées.

6. Placez la nourriture dans le fumoir et commencez à fumer! Laissez les aliments cuire environ 30 à 45 minutes par livre. Pendant la cuisson, il est important de:
 - Vérifiez souvent le niveau d'eau et ajoutez de l'eau si nécessaire. Lorsque vous ajoutez de l'eau, portez des gants de barbecue résistants à la chaleur pour éviter les blessures. Remplissez le bac à eau $\frac{3}{4}$ plein d'eau ou de marinade.
 - Ajoutez des copeaux de bois supplémentaires, si nécessaire. Lorsque vous ajoutez des copeaux de bois, portez des gants de barbecue résistants à la chaleur pour éviter les blessures.
 - Utilisez le thermomètre à viande pour vérifier la température de vos aliments. L'indicateur de chaleur sur la porte fournira la température approximative à l'intérieur du fumeur. Réglez le bouton de commande selon vos besoins.

IMPORTANT: Lorsque vous sélectionnez un réglage de basse température après le préchauffage, attendez que la température du fumoir diminue et se stabilise à la nouvelle température désirée.

PROCÉDURE EN CAS DE PANNE DE L'ÉLÉMENT ÉLECTRIQUE

Si, pour une raison quelconque, votre élément électrique ne fonctionne pas, suivez les instructions de **dépannage**.

REPLISSAGE DU RÉSERVOIR D'EAU

Vérifiez régulièrement le niveau d'eau pendant vous cuisinez et ajoutez de l'eau si nécessaire.

1. Ouvrez la porte de l'armoire en prenant soin de porter des gants de cuisinier résistants à la chaleur.
2. Remplissez soigneusement le réservoir d'eau avec de l'eau ou de la marinade jusqu'à ce qu'il soit plein aux trois-quarts. Fermez la porte de l'armoire.

IMPORTANT: Ne remplissez pas complètement ou ne remplissez pas trop le réservoir d'eau, car cela pourrait endommager votre élément électrique et / ou des pièces pendant l'utilisation du fumoir.

RECHARGEMENT DU PLATEAU POUR COPEAUX DE BOIS

Vérifiez votre plateau de copeaux de bois périodiquement pendant que vous cuisinez et ajoutez plus de copeaux de bois si nécessaire.

1. En prenant soin de porter des gants de cuisinier résistants à la chaleur, retirez le plateau pour copeaux de bois de l'ouverture au-dessus du tableau de commande sur le panneau avant de l'unité.
2. Ouvrez délicatement le couvercle et remplissez le plateau à copeaux de bois de copeaux de bois neufs. Fermez le couvercle une fois le plateau rempli.
3. Remplacez le plateau pour copeaux de bois dans le panneau avant du fumoir.

REMARQUE: Utilisez des copeaux de bois dur qui ont été séchés, comme le pacanier, le caryer, le chêne, le pommier, l'aulne ou le mesquite. Il n'est pas nécessaire de faire tremper les copeaux de bois avant le fumage, car les bois durs ont une humidité naturelle qui se dégage à mesure qu'ils chauffent et brûlent. N'utilisez pas de bois résineux comme le pin ou le cèdre dans votre fumoir.

ÉTEINDRE VOTRE FUMOIR

1. Une fois la cuisson terminée, tournez le bouton de commande en position Arrêt et débranchez le fumeur. L'élément électrique s'éteindra et les copeaux de bois cesseront de fumer.

CONSEIL: Si vous venez de préparer des aliments très gras, laissez le fumoir continuer à chauffer pendant 10 à 20 minutes minimum à une température de 121° C/250° F en fermant la porte de l'armoire.

IMPORTANT! Lorsque le cycle d'arrêt est terminé, débranchez le cordon d'alimentation.

ENTRETIEN ET MAINTENANCE

Votre unité Pit Boss® vous servira fidèlement pendant de longues années tout en minimisant les efforts de nettoyage. Suivez ces conseils de nettoyage et d'entretien pour assurer l'entretien de votre fumoir :

1. *SONDES*

- Une sonde non utilisée devrait être enroulée dans une grande bobine desserrée. Tout nœud ou pli du câble peut causer des dommages.
- Bien que les sondes à viande et de température soient en acier inoxydable, ne les mettez pas au lave-vaisselle ou dans l'eau. Les dommages causés par l'eau aux fils internes entraîneront un court-circuit de la sonde, créant une lecture erronée. Si une sonde est endommagée, elle devrait être remplacée.

2. *SURFACE INTERNES*

- Il est recommandé de nettoyer votre plateau pour copeaux de bois après chaque utilisation. Cela permettra aux copeaux de bois de bien fumer et évitera toute accumulation de débris ou de cendres.
- Utilisez une brosse de nettoyage pour grill à long manche et retirez tout aliment ou accumulation des grilles de cuisson. La meilleure pratique consiste à faire cela alors qu'elles sont encore chaudes. **Les feux de graisse sont causés par trop de débris tombés sur les composants de cuisson du fumoir.** Nettoyez l'intérieur de votre fumoir régulièrement. Dans le cas où vous êtes confronté à un feu de graisse, fermez la porte de l'armoire et les registres de ventilation pour étouffer l'incendie. Si l'incendie ne s'éteint pas rapidement, retirez soigneusement les aliments, éteignez le fumoir et fermez la porte de l'armoire jusqu'à ce que le feu soit complètement éteint. Saupoudrez légèrement de bicarbonate de soude, si disponible. Vérifiez souvent votre plateau à graisse et nettoyez-le si nécessaire.

IMPORTANT: De la graisse peut s'accumuler dans le réservoir d'eau. Remplissez et remplacez souvent l'eau dans le réservoir d'eau.

- Le verre de la porte de l'armoire est trempé et ne cassera pas à haute température; cependant, une accumulation excessive peut empêcher la fermeture de la porte si elle n'est pas nettoyée régulièrement. La fumée et les débris peuvent être enlevés en nettoyant le verre fréquemment.

3. LES SURFACES EXTERNES

- Essuyez votre fumoir après chaque utilisation. Utilisez de l'eau chaude savonneuse pour enlever la graisse. Ne pas utiliser de nettoyant à four, nettoyant abrasif ou lingettes nettoyantes sur les surfaces externes du gril. **Toutes les surfaces peintes ne sont pas couvertes par la garantie**, mais font partie de la maintenance générale et de l'entretien. Pour les rayures de peinture, l'usure ou l'écaillage de la finition, toutes les surfaces peintes peuvent être retouchées à l'aide d'une peinture à barbecue à haute chaleur.
- Utilisez une housse afin de protéger votre fumoir pour une protection complète! Une housse est la meilleure protection contre les intempéries et les polluants extérieurs. Lorsqu'il n'est pas utilisé ou pour un stockage à long terme, conservez l'unité sous une housse dans un garage ou un hangar.

TABLEAU DE FRÉQUENCE DE NETTOYAGE (UTILISATION NORMALE)

ARTICLE	FRÉQUENCE DE NETTOYAGE	MÉTHODE DE NETTOYAGE
Porte d'armoire en verre	Toutes les 2-3 utilisations	Mélanger du bicarbonate de soude et du vinaigre, frotter avec une paille de fer (fine)
Partie inférieure de l'armoire	Toutes les 5-6 utilisations	Retirer, aspirer les excès de débris
Plateau pour copeaux de bois	Toutes les 2-3 utilisations	Retirer, aspirer les excès de débris
Grilles de cuisson	Après chaque utilisation	Brûler les graisses en trop, utiliser une brosse de nettoyage
Réservoir d'eau	Après chaque utilisation	Éponge à gratter & eau savonneuse
Plateau à graisse	Après chaque utilisation	Éponge à gratter & eau savonneuse
Éléments électriques	Deux fois par an	Épousseter, essuyer l'élément avec de l'eau savonneuse
Sonde de température	Toutes les 2-3 utilisations	Éponge à gratter & eau savonneuse
Sonde à viande	Après chaque utilisation	Éponge à gratter & eau savonneuse

LIGNES DIRECTRICES POUR LA CUISINE

Les styles de cuisson de fumage et de grillage peuvent vous donner des résultats différents dépendant du temps et la température. Pour obtenir de meilleurs résultats, conservez un registre de tout ce que vous cuisinez, à quelle température vous le cuisinez, ainsi que les résultats. Ajustez toutes ces variables, selon vos goûts, la prochaine fois. Ce n'est qu'en s'exerçant qu'on s'améliore. L'art culinaire du fumage à chaud équivaut à des temps de cuisson plus long, mais il produit également une saveur de bois plus naturelle (et une « bande rose ») dans vos viandes. Une température de cuisson plus élevée, ce qui veut dire moins de temps de cuisson, vous offrira moins de saveur fumée.

CONSEIL: Pour de meilleurs résultats, laissez reposer les viandes après la cuisson. Ceci permet aux jus naturels de revenir dans les fibres de la viande, produisant ainsi une coupe plus juteuse et plus savoureuse. Le temps de repos peut n'être que 3 minutes et peut même aller jusqu'à 60 minutes, selon la taille des protéines.

STYLE DE CUISSON	FUMAGE CHAUD	RÔTI	CUISSON FOUR (moyen)
Gamme de températures	37-135°C / 100-275°F	135-162°C / 275-325°F	135-162°C / 275-325°F

		DURÉE DU TEMPS DE CUISSON APPROXIMATIVE		
BOEF	TAILLE	Saignant - 54°C / 130°F	A point - 60°C / 140°F	Bien cuit - 65°C / 150°F
Rôti de côtes, sans os	2.26 - 2.72 kg / 5 - 6 lbs.		1½ - 2 heures	
Rôti de côtes	5.44 - 6.35 kg / 12 - 14 lbs.		2½ - 2¾ heures	
Saucisse (fraîche)	Toutes les tailles			4 - 5 heures
Rôti (avec os)	Toutes les tailles	4- 5 heures		
Rôti de côtes	Toutes les tailles	Cuire jusqu'à ce que la viande sorte de l'os (environ 4 à 6 heures)		
Poitrine	7.25 - 3.62 kg / 16 -18 lbs.	Cuire jusqu'à ce que la température interne atteigne 91°C / 195°F		

PORC	TAILLE	Réchauffer - 60°C / 140°F	A point - 66°C / 150°F	Bien cuit- 71°C / 160°F
Jambon (cuit)	Toutes les tailles	2 - 2¾ heures		
Jambon (frais)	4.53-5.44 kg / 10-12 lbs.			7 - 8 heures
Saucisse (fraîche)	Toutes les tailles			4 - 5 heures
Loin rôti	1.36-1.81 kg / 3 - 4 lbs.		1 - 2 heures	2 - 3 heures
Rib Couronne Couronne	1.81-2.26 kg / 4 - 5 lbs.		1½ - 2 heures	2 - 3 heures
Boston Butt(Épaule de porc)	3.62-4.53 kg / 8-10 lbs.			93 - 98°C / 200 - 210°F Température interne
Travers de porc	Toutes les tailles	Cuire jusqu'à ce que la viande sorte de l'os (environ 4 à 6 heures)		
Hacher (longe, côte)	Toutes les tailles	Cuire jusqu'à ce que la viande sorte de l'os (environ 4 à 6 heures)		

AGNEAU	TAILLE	Saignant - 54 °C / 130 °F	À point - 60 °C / 140 °F	Bien cuit - 71 °C / 160 °F
Rôti (frais)	2,26 - 2,72 kg / 5 - 6 lbs.		1 - 2 heures	

VOLAILLE	TAILLE	Saignant - 54 °C / 130 °F	À point - 60 °C / 140 °F	Bien cuit - 82 °C / 180 °F
Dinde (entière)	4.53-5.44 kg / 10-12 lbs.			7 - 8 heures
Poulet (entier)	Toutes les tailles			5 -6 heures
Pilons, poitrines	Toutes les tailles			4 -5 heures
Petits gibiers à plumes	Toutes les tailles			4 -5 heures
Canard	1.36-2.26 kg / 3-5 lbs.			5 -6 heures

POULET	TAILLE	Saignant - 54 °C / 130 °F	À point - 60 °C / 140 °F	Bien cuit - 82 °C / 180 °F
Poulet (entier)	Toutes les tailles			5 -6 heures
Pilons, poitrines	Toutes les tailles			4 -5 heures

FRUITS DE MER	TAILLE	Saignant - 54 °C / 130 °F	À point - 60 °C / 140 °F	Bien cuit - 82 °C / 180 °F
Poisson (entier)	Toutes les tailles			2 -3 heures, jusqu'à floconneux
Poisson (filets)	Toutes les tailles			1 -2 heures, jusqu'à floconneux

GIBIER SAUVAGE	TAILLE	Saignant - 60 °C / 140 °F	À point - 71 °C / 160 °F	Bien cuit - 77 °C / 170 °F
Rôti (frais)	2.26 - 2.72 kg / 5 - 6 lbs.		5 -6 heures	
Grandes coupes (frais)	3.62-4.53 kg / 8-10 lbs.			7 - 8 heures

CONSEILS ET TECHNIQUES

Suivez ces conseils et techniques utiles, transmis par des propriétaires de Pit Boss® Grills, notre personnel et clients comme vous, afin de vous familiariser avec votre gril :

1. SÉCURITÉ ALIMENTAIRE

- Garder propre tout ce qui se trouve dans la cuisine et dans la surface de cuisson. Utilisez un plat et des ustensiles différents pour la viande cuite et pour préparer ou transporter la viande crue sur le gril. Ceci permettra d'éviter toute contamination croisée des bactéries. Chaque marinade ou sauce pour badigeonner devrait avoir son propre ustensile.
- Gardez les aliments chauds au chaud (au-dessus de 60°C / 140°F) et gardez les aliments froids au froids (moins de 3°C / 37°F). Les aliments cuits et les salades ne devraient pas être laissés dehors dans la chaleur pendant plus d'une heure. Ne laissez pas les aliments chauds à l'extérieur du réfrigérateur pendant plus de deux heures.
- Une marinade ne devrait jamais être conservée pour une utilisation ultérieure. Si vous comptez l'utiliser pour la servir avec votre viande, assurez-vous de la faire bouillir avant de servir.
- Décongeler et mariner les viandes par réfrigération. Ne décongelez pas la viande à température ambiante ou sur le comptoir. Les bactéries peuvent grandir et se multiplient rapidement dans les aliments chauds et humides. Lavez-vous bien les mains avec de l'eau tiède savonneuse avant de commencer à préparer votre plat, et après avoir manipulé de la viande fraîche, du poisson et de la volaille.

2. PRÉPARATION DE CUISSON

- Soyez préparé. Ceci fait référence à la préparation de la recette, le combustible, les accessoires, les ustensiles et tous les ingrédients dont vous aurez besoin à côté du gril avant de commencer la cuisson. Lire aussi la recette complète, du début à la fin, avant d'allumer le gril.
- Un tapis protecteur pour BBQ peut être très utile. En raison des accidents qui surviennent en raison de la manipulation

des aliments et des différents styles de cuisson, ce tapis aidera à protéger les dalles de votre patio ou de votre terrasse contre tout risque de tache de graisse ou déversements accidentels.

3. CONSEILS ET TECHNIQUES DE GRILLADE

- Pour infuser plus de saveur fumée et gardez vos viandes juteuses, cuisez-les plus longtemps à une température plus basse (également connu sous le nom de **faible et lent**). La viande fermera ses fibres après avoir atteint une température interne de 49°C (120°F). La pulvérisation en brouillard et l'épandage sont d'excellents moyens permettant d'éviter que la viande ne se dessèche.
- Lorsque vous saisissez vos viandes, cuisinez toujours avec le couvercle fermé. Utilisez toujours un thermomètre à viande pour évaluer la température interne des aliments que vous cuisinez. Fumer la nourriture avec des granulés de bois fait rosir la viande et la volaille. La bande rose (après la cuisson) est aussi appelée **anneau de fumée** et est très appréciée.
- Il est fortement recommandé d'appliquer les sauces à base de sucre vers la fin de la cuisson pour éviter les brûlures et flambées.
- Laissez un espace de dégagement entre les aliments et les extrémités du baril pour une bonne circulation de la chaleur. Beaucoup d'aliments sur une grille de cuisson encombrée prendront plus de temps à cuire.
- Utilisez des pinces avec une longue poignée pour retourner toutes les viandes et des spatules pour retourner les burgers et le poisson. L'utilisation d'un ustensile perçant, comme une fourchette, permet de piquer la viande et de laisser s'évacuer les jus.
- Les aliments dans des casserole profondes nécessitent plus de temps pour cuire que dans une poêle peu profonde.
- C'est une bonne idée de mettre les aliments grillés sur une grande assiette préchauffée pour garder vos aliments chauds. Les viandes rouges comme les steaks et rôtis seront meilleurs si vous les laissez reposer pendant quelques minutes avant de les servir. Ceci permet aux jus délicieux que la chaleur a fait remonter à la surface de retourner au centre et de lui donner plus de saveur.

DÉPANNAGE

Un bon nettoyage et un bon entretien, ainsi que le fait d'utiliser du combustible propre, sec et de qualité aidera à prévenir la plupart des problèmes de fonctionnement du gril. Toutefois, quand votre gril à granulés de bois Pit Boss® ne fonctionne pas bien ou moins fréquemment, les conseils de dépannage suivants peuvent être utiles. Pour les FAQ, rendez-vous sur www.pitboss-grills.com. Vous pouvez également contacter votre revendeur agréé local Pit Boss® ou contacter le Service client pour obtenir de l'aide.

AVERTISSEMENT : Débranchez toujours le cordon électrique avant d'ouvrir le fumoir pour effectuer toute inspection, nettoyage, maintenance ou entretien. Veillez à ce que le gril soit complètement froid pour éviter des blessures.

PROBLÈME	CAUSE	SOLUTION
Lumière de l'indicateur de chaleur non pas sur	Non connecté à la source d'alimentation	Débranchez le gril de la prise, puis assurez-vous que toutes les connexions de fils sont fermement connectées dans le panneau de commande et sèches. Branchez le fumeur sur une source d'alimentation en état de marche. Assurez-vous que le DDFT est un service entre 15 et 20 A (voir le schéma des fils électriques pour accéder aux composants électriques). Assurez-vous que toutes les connexions de fils sont fermement connectées et sèches.
	L'unité n'est pas allumée	Tournez le bouton de commande sur High pour allumer l'appareil.
	Connexion d'éclairage défectueuse	Débranchez le gril de la prise de courant et assurez-vous que tous les connecteurs de la lumière sont fermement connectés. Rebranchez le gril à la source d'alimentation et réglez le bouton de commande sur haut.
	Témoin lumineux défectueux	Le panneau de contrôle doit être remplacé. Contactez le service client pour une pièce de rechange.

Élément (chauffage) pas chaud	Mauvaise connexion	Débranchez le gril de la prise de courant. Vérifiez que les vis sont fermement connectées.
	Panne de l'élément chauffant	Débranchez le gril de la prise de courant et laissez-le refroidir. Retirez les composants de cuisson du gril. Rebranchez l'appareil, réglez le bouton de commande sur High. Vérifiez si le voyant est allumé et confirmez visuellement que l'élément chauffant devient chaud.
	Élément défectueux	Contactez le service client pour une pièce de rechange.
Element (Heating) Not On	Mauvaise connexion	Vérifiez que les connecteurs sont fermement connectés. Déconnectez et reconnectez.
	Élément défectueux	Contactez le service client pour une pièce de rechange.
Temps excessif pour atteindre la température désirée	Climat froid	La température extérieure est inférieure à 65 ° C / 18 ° F, de sorte que l'unité peut prendre un temps de chauffage prolongé.
	Rallonge utilisée	L'utilisation d'une rallonge peut réduire l'alimentation électrique de l'unité. Branchez l'appareil directement dans la source d'alimentation ou assurez-vous que la longueur maximale de la rallonge est de 7,6 mètres / 25 pieds, calibre minimum 12/3.
	Porte non fermée	Assurez-vous que la porte est bien fermée, que le joint n'est pas endommagé et que le loquet de la porte est sécurisé.
	Bac à eau mal situé	Vérifiez le bac à eau pour vous assurer qu'il repose correctement sur les supports. Voir les instructions d'assemblage pour plus d'informations.
	Panneau de configuration défectueux	Le panneau de commande doit être remplacé. Contactez le service client pour une pièce de rechange.
Porte ne se fermant pas correctement	Mauvaise alignement de la porte	Ajustez les charnières de la porte pour vous assurer que la porte est correctement montée. Voir les instructions de montage.
	Joint de porte endommagé	La porte doit être remplacée. Contactez le service clientèle pour obtenir des pièces de rechange.
Graisse qui fuit de la porte de l'armoire	La porte ne se ferme pas correctement	Assurez-vous que la porte est fermée, que le joint n'est pas endommagé et que le loquet de la porte est sécurisé.
	L'unité n'est pas de niveau	Déplacez l'appareil sur une surface de cuisson plane. Assurez-vous que les pieds de support ne sont pas endommagés.
	Le plateau à graisse est plein	Videz le bac à graisse et réinstallez-le. Suivez les instructions d'entretien et de maintenance .
	Le tube de vidange est obstrué	Suivez les instructions d'entretien et de maintenance .
Aucune fumée n'est produite	Pas de copeaux de bois	Ajoutez des copeaux de bois dans la boîte à copeaux de bois en portant des gants de barbecue résistants à la chaleur.
	L'élément chauffant expire, pas assez de chaleur aux copeaux de bois	Le bouton de commande est réglé trop bas, de sorte que l'élément chauffant ne reste pas allumé assez longtemps pour chauffer les copeaux de bois. Tout d'abord, ouvrez complètement les événements arrière pour favoriser la circulation de l'air. Ensuite, réglez le bouton de commande sur High pour allumer l'élément chauffant pendant 20 minutes.
	Boîte à copeaux de bois endommagée	La boîte à copeaux de bois doit être remplacée. Contactez le service client pour une pièce de rechange.

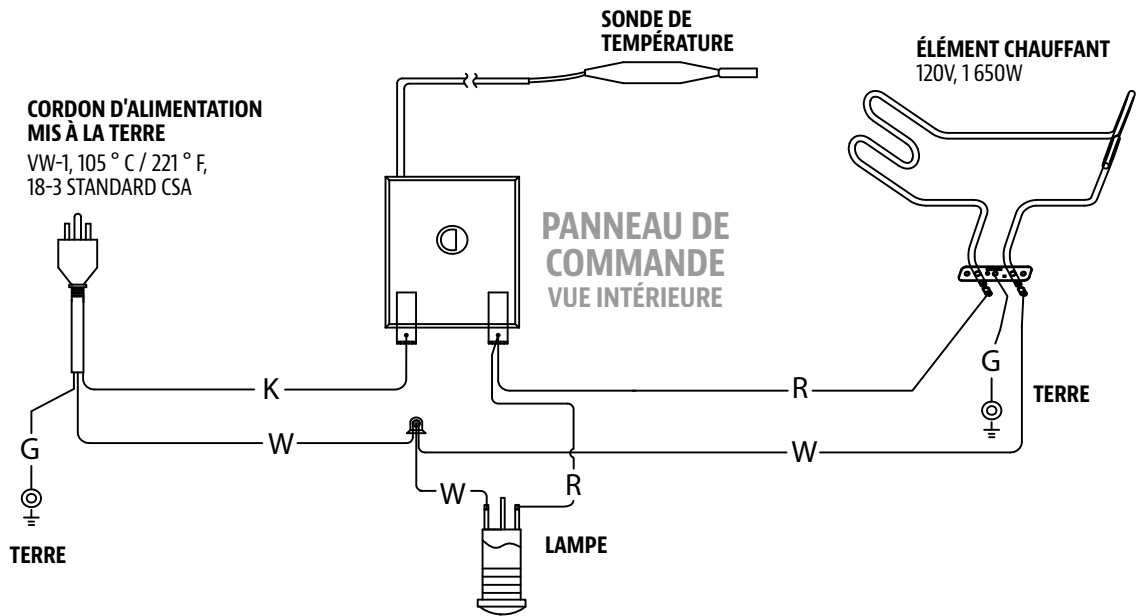
DIAGRAMME DE FIL ÉLECTRIQUE

Le panneau de commande numérique est un matériel technologique hautement sophistiqué et de grande valeur. Pour une protection contre les surtensions et les courts-circuits électriques, consultez le schéma de fil ci-dessous pour vous assurer que votre source d'alimentation est suffisante pour le fonctionnement de l'appareil.

PB – EXIGENCES ÉLECTRIQUES

110-120V, 60Hz, 1 650W, FICHE À 3 BROCHES MISE À LA TERRE

REMARQUE : Les composants électriques, passés par les tests de sécurité des produits et les services de certification, sont conformes avec une tolérance de test de ± 5 à 10%.



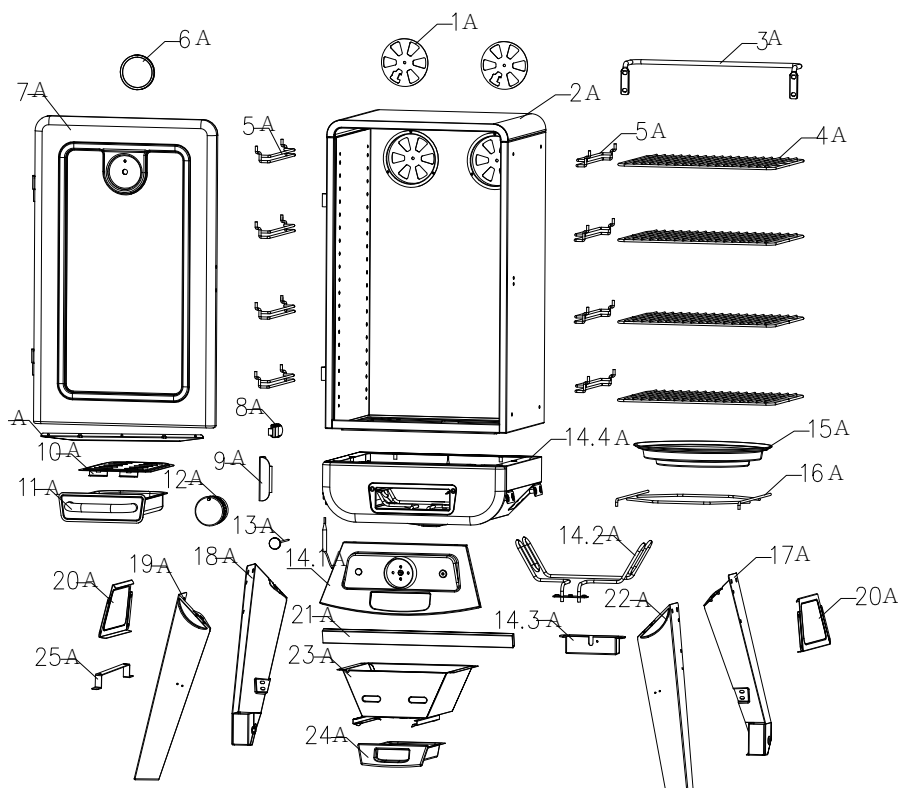
FRANÇAIS

INDEX

W : BLANC
R : ROUGE
K : NOIR
G : TERRE

PIÈCES DE RECHANGE

No.	Description des pièces
1-A	Registre de ventilation (x2)
2-A	Armoire principale (x1)
3-A	Poignée arrière (x1)
4-A	Grilles de cuisson (x4)
5-A	Supports de la grille de cuisson (x8)
6-A	Indicateur de chaleur (x1)
7-A	Porte d'armoire (x1)
8-A	Loquet de porte d'armoire (x1)
9-A	Poignée de porte d'armoire (x1)
10-A	Couvercle du plateau pour copeaux de bois (x1)
11-A	Plateau pour copeaux de bois (x1)
12-A	Bouton de commande (x1)
13-A	Thermomètre à viande (x1)
14.1-A	Ensemble de panneau de commande (x1)
14.2-A	Élément chauffant (x1)
14.3-A	Capteur de température (x1)
14.4-A	Base de l'armoire (x1)
15-A	Réservoir d'eau (x1)
16-A	Support du réservoir d'eau (x1)
17-A	Assemblage de la jambe arrière droite (x1)
18-A	Assemblage de la jambe arrière gauche (x1)
19-A	Jambe avant gauche (x1)
20-A	Panneaux de support (x2)
21-A	Barre d'appui (x1)
22-A	Jambe avant droite (x1)
23-A	Chambre inférieure (x1)
24-A	Plateau à graisse (x1)
25-A	Support de cordon d'alimentation (x1)
A-A	Vis $\frac{1}{4}$ -20x $\frac{5}{8}$ po (x4)
B-A	Vis $\frac{1}{4}$ -20x $\frac{1}{2}$ po (x12)
C-A	Vis #10-24x $\frac{1}{2}$ po (x32)
D-A	Écrou #10-24 (x2)
E-A	Rondelle-frein M5 (x2)
F-A	Matériel de rechange



REMARQUE : En raison du développement continu du produit, les pièces peuvent être modifiées sans préavis.

GARANTIE

CONDITIONS

Tous les fumoirs électriques de Pit Boss®, fabriqués par Dansons, contiennent une garantie limitée à partir de la date d'achat par le propriétaire initial. La garantie entre en vigueur à la date d'achat, et une preuve de la date d'achat ou copie de votre achat de vente original est requise pour valider la garantie. Si le client n'est pas en mesure de produire une preuve de l'achat ou si la date de couverture de la garantie est dépassée, il sera tenu de payer les pièces, l'expédition et la main-d'œuvre.

Dansons offre une garantie de cinq (5) ans contre les défauts et fabrication sur toutes les pièces, et cinq (5) ans sur les composants électriques. Dansons garantit que toute partie(s) sont exempte de défauts de matériel et de fabrication, pour la durée d'utilisation et de propriété de l'acheteur initial. La garantie ne couvre pas les dommages causés par l'usure, tels que les rayures, les bosses, les coups, les éclats ou les fissures cosmétiques mineures. Ces changements esthétiques du gril n'affectent pas sa performance. La réparation ou le remplacement d'une pièce ne prolonge pas la garantie limitée au-delà de la cinquième (5) prévue à partir de la date d'achat. Pendant la période de la garantie limitée, l'obligation de Dansons sera limitée à fournir le remplacement des composants couverts et/ou défectueux. Tant que cela se produit pendant la période de la garantie, Dansons ne vous facturera pas sur la réparation ou le remplacement des pièces retournées, le port-payé, si Dansons détermine que ces pièces se révèlent défectueuses après inspection. Dansons ne sera pas tenu responsable des frais de transport, du coût salarial ou des droits d'exportation. Sauf disposition contraire dans ces conditions de garantie, la réparation ou le remplacement des pièces de la façon et pour la durée fixée ci-dessous, remplira le devoir de toutes les responsabilités et obligations directes et dérivées de Dansons envers vous. Dansons prend toutes les précautions pour utiliser les matériaux qui retardent la formation de la rouille. Même avec ces garanties, le revêtement protecteur peut être compromis par diverses substances et conditions qui échappent au contrôle de Dansons. Les hautes températures, l'humidité excessive, le chlore, les gaz industriels, les engrais, les pesticides utilisés pour les pelouses et le sel sont quelques-unes des substances pouvant affecter les revêtements métalliques. C'est pour ces raisons que les garanties limitées ne couvrent pas la rouille ni l'oxydation, à moins que le composant du gril présente une perte d'intégrité structurelle. Si les scénarios décrits ci-dessus devaient se produire, veuillez vous référer à la section de soin et de maintenance pour prolonger la durée de vie de votre appareil. Dansons recommande l'utilisation d'une couverture de gril lorsqu'il n'est pas utilisé.

Les garanties s'appliquent à un usage domestique et utilisation normale du gril et aucune des garanties limitées ne s'applique à un gril utilisé pour des applications commerciales.

EXCEPTIONS

Il n'existe pas de garantie de performance écrite ou implicite sur les appareils Pit Boss®, car le fabricant ne contrôle pas l'installation, le fonctionnement, le nettoyage, l'entretien ou le type de combustible brûlé. La garantie limitée ne s'appliquera pas, et Dansons n'assumera aucune responsabilité, si votre appareil n'a pas été installé, opéré, nettoyé et entretenu conformément aux instructions du fabricant. Toute utilisation de gaz non précisée dans ce manuel peut annuler la garantie. La garantie ne couvre pas les dommages ou ruptures causées par une mauvaise utilisation, mauvaise manutention ou des modifications.

Dansons et les fournisseurs autorisés Pit Boss®, déclinent toute responsabilité, légale ou autre, quant aux dommages accidentels ou consécutifs à la propriété ou aux personnes résultant de l'utilisation de ce produit. Si une réclamation est retournée contre Dansons basée sur la violation de cette garantie ou de tout autre type de garantie explicite ou implicite en droit, le fabricant ne sera en aucun cas tenu responsable des dommages-intérêts spéciaux, punitifs ou indirects de quelque nature que ce soit en surplus du prix d'achat original de ce produit. Toutes les garanties du fabricant sont énoncées ici et aucune réclamation ne sera effectuée contre le fabricant par le biais d'une garantie ou de représentation.

Certaines provinces n'autorisent pas l'exclusion ou la limitation des dommages accidentels ou consécutifs, ou les limitations des garanties implicites, de sorte qu'il est possible que les exclusions et limitations énoncées dans cette garantie limitée ne s'appliquent pas à vous. Cette garantie limitée vous donne des droits légaux spécifiques, et vous pourriez aussi avoir d'autres droits légaux qui pourront varier selon l'état ou la province.

COMMANDE DE PIÈCES DE REMPLACEMENT

Pour commander des pièces de rechange, contactez votre revendeur local Pit Boss® ou visitez notre boutique en ligne à l'adresse suivante: www.pitboss-grills.com

APPELEZ LE SERVICE CLIENT

Si vous avez des questions ou des problèmes, contactez le Service client .

ÉTATS-UNIS: (480) 923-9630 | CANADA (SANS FRAIS): 1-877-942-2246

SERVICE DE GARANTIE

Appelez votre fournisseur de Pit Boss® le plus proche pour une réparation ou un remplacement de vos pièces. Dansons exige une preuve d'achat pour établir une réclamation sous garantie; Conservez donc votre reçu ou facture originale pour référence future. Le numéro de série et de modèle de votre Pit Boss® se trouve à l'arrière de l'unité. Enregistrez les numéros ci-dessous, car l'étiquette peut s'user ou devenir illisible.

MODÈLE

NUMÉRO DE SÉRIE

DATE D'ACHAT

CONCESSIONNAIRE AUTORISÉ

IMPORTANT

DO NOT RETURN PRODUCT TO STORE

For all questions, comments, or inquiries, please contact Dansons Customer Care department.

USA: (480) 923-9630

CANADA (TOLL FREE): 1-877-942-2246

service@pitboss-grills.com

IMPORTANT

NE RETOURNEZ PAS LE PRODUIT AU MAGASIN

Pour toute questions, commentaires ou demandes de renseignements, veuillez communiquer avec le Service client de Dansons.

ÉTATS-UNIS: (480) 923-9630

CANADA (SANS FRAIS) : 1-877-942-2246

service@pitboss-grills.com



WARNING: THIS PRODUCT CAN EXPOSE YOU TO CHEMICALS INCLUDING WOOD DUST, WHICH IS KNOWN TO THE STATE OF CALIFORNIA TO CAUSE CANCER, AND CARBON MONOXIDE, WHICH IS KNOWN TO THE STATE OF CALIFORNIA TO CAUSE BIRTH DEFECTS OR OTHER REPRODUCTIVE HARM. FOR MORE INFORMATION GO TO WWW.P65WARNINGS.CA.GOV



AVERTISSEMENT : CE PRODUIT PEUT VOUS EXPOSER À DES AGENTS CHIMIQUES, Y COMPRIS LA POUSSIÈRE DE BOIS, IDENTIFIÉS PAR L'ÉTAT DE CALIFORNIE COMME POUVANT CAUSER LE CANCER, ET LE MONOXYDE DE CARBONE, RECONNU PAR L'ÉTAT DE CALIFORNIE COMME POUVANT CAUSER DES MALFORMATIONS CONGÉNITALES OU AUTRES EFFETS NOCIFS SUR LA REPRODUCTION. POUR DE PLUS AMPLES INFORMATIONS, PRIÈRE DE CONSULTER WWW.P65WARNINGS.CA.GOV



© 2022 DANSONS
602220801MCV

PITBOSS-GRILLS.COM

MADE IN CHINA | FABRIQUÉ EN CHINE

